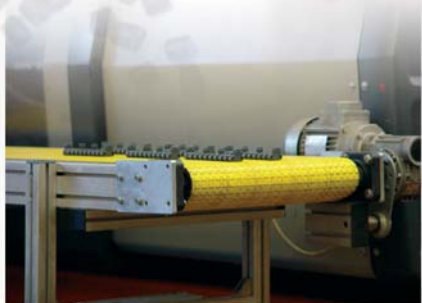




L E V E L I N G P A D S

January 2010 • English Version • Issue 16.1





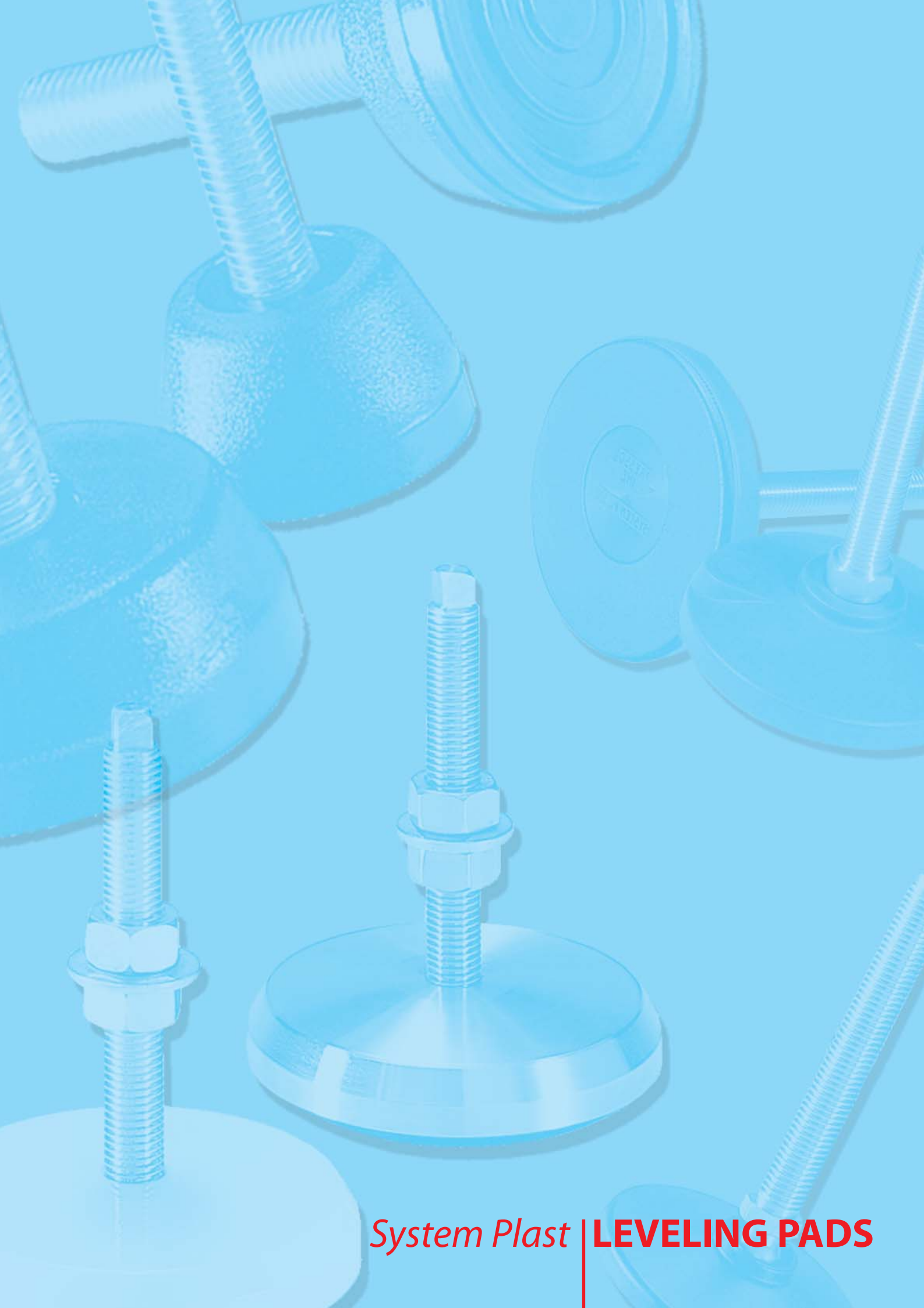
This catalogue presents the Bearing Line and includes the latest generation of products shown in earlier catalogues. This catalogue relates to current production. Other information, which may be different from that contained in this publication, must be considered invalid. The right is reserved to carry out modifications rendered necessary by the technical development of System Plast products.

© Copyright System Plast Italy 2010

The contents of this catalogue are the copyright of the publisher and may not be reproduced (even extracts) unless permission is granted. Every care has been taken to ensure the accuracy of the information contained in this catalogue but no liability can be accepted for any errors or omissions.

Catalogue PL • 01/2010/E
Code N. 22101/016
Printed in Italy





System Plast | **LEVELING PADS**



Quality and Service

When you are looking for a quality conveyor component, look at System Plast.

Your expectation, our standard.

Customers expect the best from System Plast; we are committed to delivering nothing less. In every phase of our operation, from engineering, to production, to sales and assistance, System Plast is committed to complying with the stringent standards of ISO 9001.

We put our Leadership on the line for you.

Our complete range of products combines stainless steel, carbon steel, aluminium and engineered plastics to achieve reliability, superior performance and compact design.

As one of the world's leading suppliers of conveyor components, System Plast has a tradition of innovation that dates back to 1985 when we entered into this field. System Plast Components have become the standard of design and performance to a wide range of industries, including conveyor manufacturing, material handling, power transmission, packaging and many more.

In addition to manufacturing excellence, System Plast has earned a reputation for outstanding customer service, offering a full range of design, custom fabrication and support services.

We hope you will now take a moment to look through this comprehensive catalogue.

Then, when you are ready to discuss your needs with the nearest System Plast representative, please consult the back cover of this catalog for further details about our sales network.

We are able and eager to assist you setting up a smooth running line.

The components you want, when and how you want them.

System Plast is ready and able to satisfy your needs with quick answers and delivery of standard or custom made products. Our customers around the world know that the shortest distance between a problem and its solution is to call us: innovations, research, engineering and production are always under a strict control to improve our service and products.



Application driven

Focus on application and improvements have been the driving force behind Research and Development at System Plast, the largest global supplier of Conveyor Components.

The most important issues in the beverage and packaging industry are EFFICIENCY, NOISE REDUCTION, HYGIENE, TCO and LUBRICATION REDUCTION. The engineering team of System Plast has taken the issues as a challenge and developed a range of products around them, thus gaining the leading edge on the market by supporting the users in their corporate programs such as TPM, Total Productive Maintenance.

System Plast is a solid partner for the beverage, food and packaging industry. Not only these state-of-the-art developments are important, but just as well that it has the largest available program of conveyor components, chains and belts.

The network of System Plast companies in Italy, Germany, France, UK, Netherlands, USA, Mexico, Brazil and China together with the worldwide network of exclusive distributors, services the clients - OEM's as well as end users, including the leading companies in the industry. The people in the field are trained with know-why and know-how and are strongly supported by the engineering team.

Largest range

System Plast delivers the largest range of chains, modular belts, components, bearings, feet.

Conveyor Line: massive, versatile range of conveyor parts like supports, clamps, brackets, guides in plastic and stainless steel; easy combinations for many applications.

Bearing Line: flange bearings in many types and shapes. Completely closed types available for wet environments. Long life versions for ease of maintenance.

Presso Line: the largest range of support feet available. The right choice for any application; from food processing to electrical cabinets.

Modular Plastic Belts: robust design for easy installation and maintenance. Not only the standard range, but special types for difficult products as well. Special materials for dry running, long life and low noise.

SlatBand Chains: chain is the main factor for efficiency of conveyors. System Plast has a wide range of high quality chains in plastic and stainless steel. Special materials for exceptional applications.



Leveling pads

Presso Line has a wide range of fixed and articulated feet to support and secure machinery in all industrial sectors.

It is an extremely versatile product line, which always enables the best solution to be chosen in any field of application.

The line contains many products consisting of fixed, articulated, non-slip, antivibration, with or without securing holes, in thermoplastic material, zinc plated and stainless steel.

The Presso Line is used in all work environments. From the foot to the pharmaceutical-cosmetic industry to the most aggressive environments where corrosive substances are found.

Our range

System Plast offers a selection of leveling pads with threaded spindles ranging from M8 to M30.

These products combine two innovative elements: a pad constructed of highly resistant thermoplastic material, and a steel spindle, or a combination of two materials: polyamide with a steel insert.

Pad

The bases of all leveling pad products are available in two different materials: metal or thermoplastic.

Metal bases are either zinc plated or stainless steel and have higher load capacities.

Polyamide bases reinforced with fiberglass guarantee constant application and thermal stability.

Spindle

The spindles of all leveling pad products are available in different materials:

Stainless steel for total protection against severe environments, zinc plated steel for economical corrosion resistance.

Both demonstrate high load capacities.

The polyamide version with the steel insert are for applications without corrosive agents and high load capacities. Nickel plated brass spindles are used for applications where moderate corrosion resistance and load capacities are present.



The Eco Line range of levelers are suitable for light and medium duty applications. The new design of these levelers, based on the latest manufacturing technologies, is meant to offer economic advantages.

[Pages 6 - 16](#)

Upon request and for suitable quantities, all feet on this page can be modified to meet different specifications, i.e. we can modify spindle length, spindle thread to meet specific requirements.



Sanistar levelers, designed especially for those applications where hygiene is important or where circumstances are severe, are made from AISI 304 stainless steel with polished surface for easy cleaning. The vulcanized rubber element offers anti-slip characteristics and absorbs vibrations.

[Pages 17 - 22](#)

Upon request and for suitable quantities, all feet on this page can be modified to meet different specifications, i.e. we can modify spindle length, spindle thread to meet specific requirements.



The traditional Presso Line product range of levelers is available in a wide range of types, dimensions and materials. These levelers are suitable to a wide range of applications, varying from pharmaceutical industry with its severe sanitary conditions to the wood and metal machining industry, where high loads are present.

[Pages 24 - 48](#)

Other products for supporting machinery and accessories



Levelers with fixed spindles
[Pages 50](#)



Levelers for fixing to floor
[Pages 51 - 53](#)



Metal base levelers
[Pages 54 - 61](#)



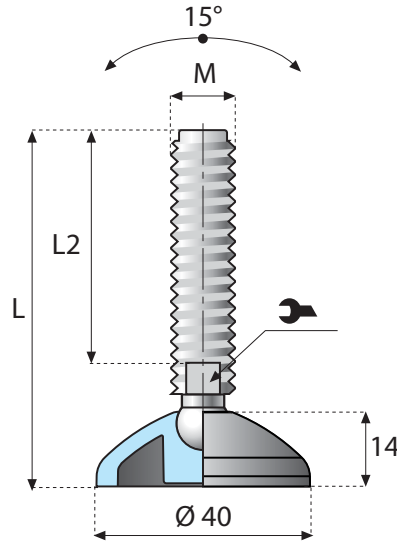
Threaded bushings
[Pages 64 - 65](#)



Loose bases
[Pages 66](#)

General information

Chemical resistance tables.....	Pages 68 - 69
Index.....	Pages 71 - 80
Select your leveling pad.....	Pages 70



MATERIAL INFORMATION

Spindle, nut and washer (see table):
INOX Stainless Steel AISI 304
FE.ZN Zinc Plated
Base: Reinforced polyamide.

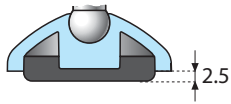
ANTI-SLIP PAD



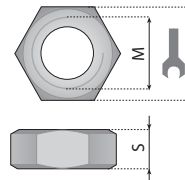
Code: 171308

Anti-slip pad: oil resistant rubber, 70 shore hardness.

ACCESSORIES



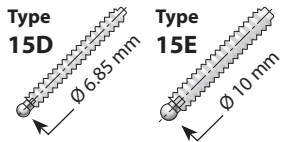
code FE.ZN	code INOX	Nuts		
		M	Key	S
171330	171331	8	13	6.5
171332	171333	10	17	8
171334	171335	12	19	10
171336	171337	14	22	11



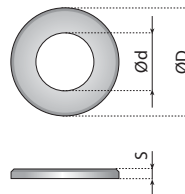
Nuts: UNI 5588-65

Packaging: 25 pieces

SPINDLE TYPE



code FE.ZN	code INOX	Washers		
		Ø d.	Ø D	S
171350	171351	8.5	19	1.75
171352	171353	10.5	21	2
171354	171355	13	24	2.5
171356	171357	15	28	2.5

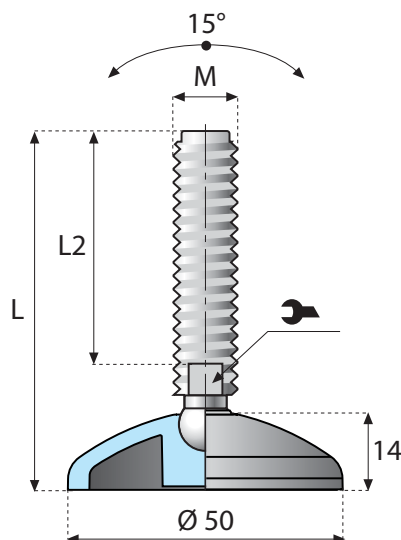


Washer: UNI 6592-69

Packaging: 25 pieces

Spindle			M		L mm	L ₂ mm	Code Assembled	Code	
Material	Type							Base	Spindle
FE.ZN	15D	10.000	M8	5	60	40	176000	821569	831446
					85	65	176001		831448
			M10	7	65	45	176002		831450
					90	70	176003		831452
					115	95	176004		831454
	15E	12.000	M12	9	90	70	176005	831458	
					110	90	176006	831460	
					130	110	176007	831462	
			M14	11	150	130	176008	831464	
					100	80	176009	831466	
					125	105	176010	831468	
INOX	15D	10.000	M8	5	60	40	176050	821569	831445
					85	65	176051		831447
			M10	7	65	45	176052		831449
					90	70	176053		831451
					115	95	176054		831453
	15E	12.000	M12	9	90	70	176055	831457	
					110	90	176056	831459	
					130	110	176057	831461	
			M14	11	150	130	176058	831463	
					100	80	176059	831465	
					125	105	176060	831467	
					150	130	176061	831455	

General tolerance on total height L ± 2 mm



MATERIAL INFORMATION

Spindle, nut and washer (see table):
INOX Stainless Steel AISI 304
FE.ZN Zinc Plated
Base: Reinforced polyamide.

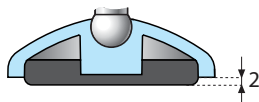
ANTI-SLIP PAD



Code: 171309

Anti-slip pad: oil resistant rubber, 70 shore hardness.

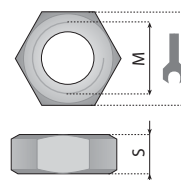
ACCESSORIES



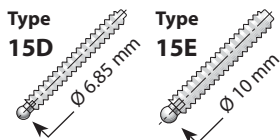
code FE.ZN	code INOX	Nuts		
		M		S
171330	171331	8	13	6.5
171332	171333	10	17	8
171334	171335	12	19	10
171336	171337	14	22	11

Nuts: UNI 5588-65

Packaging: 25 pieces



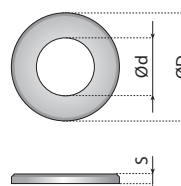
SPINDLE TYPE



code FE.ZN	code INOX	Washers		
		ø d.	ø D	S
171350	171351	8.5	19	1.75
171352	171353	10.5	21	2
171354	171355	13	24	2.5
171356	171357	15	28	2.5

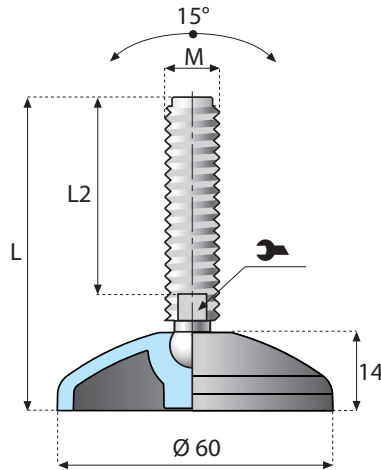
Washer: UNI 6592-69

Packaging: 25 pieces



Spindle			M		L mm	L ₂ mm	Code Assembled	Code	
Material	Type							Base	Spindle
FE.ZN	15D	10.000	M8	5	65	40	176100	821571	831446
					90	65	176101		831448
			M10	7	70	45	176102		831450
					95	70	176103		831452
					120	95	176104		831454
	15E	12.000	M12	9	90	70	176105	831458	
					110	90	176106	831460	
					130	110	176107	831462	
			M14	11	150	130	176108	831464	
					100	80	176109	831466	
					125	105	176110	831468	
150	130	176111	831456						
INOX	15D	10.000	M8	5	65	40	176150	821571	831445
					90	65	176151		831447
			M10	7	70	45	176152		831449
					95	70	176153		831451
					120	95	176154		831453
	15E	12.000	M12	9	90	70	176155	831457	
					110	90	176156	831459	
					130	110	176157	831461	
					150	130	176158	831463	
			M14	11	100	80	176159	831465	
					125	105	176160	831467	
					150	130	176161	831455	
					150	130	176161	831455	

General tolerance on total height L ± 2 mm



MATERIAL INFORMATION

Spindle, nut and washer (see table):
INOX Stainless Steel AISI 304
FE.ZN Zinc Plated
Base: Reinforced polyamide.

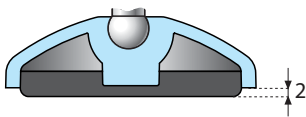
ANTI-SLIP PAD



Code: 171310

Anti-slip pad: oil resistant rubber, 70 shore hardness.

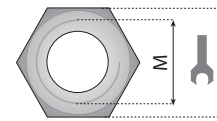
ACCESSORIES



code FE.ZN	code INOX	Nuts		
		M	🔑	S
171334	171335	12	19	10
171336	171337	14	22	11
171338	171339	16	24	13
171340	171341	20	30	16

Nuts: UNI 5588-65

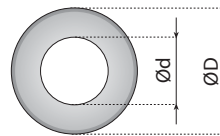
Packaging: 25 pieces



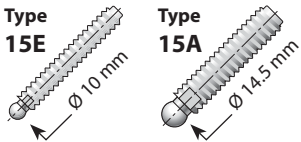
code FE.ZN	code INOX	Washers		
		Ø d.	Ø D	S
171354	171355	13	24	2.5
171356	171357	15	28	2.5
171358	171359	17	30	3
171360	171361	21	37	3

Washer: UNI 6592-69

Packaging: 25 pieces

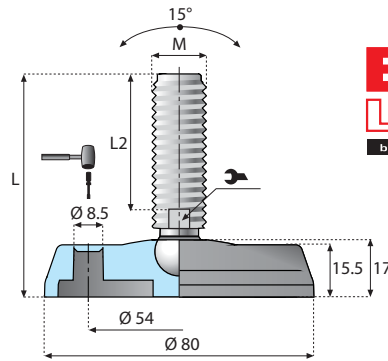


SPINDLE TYPE



Spindle		Material	Type	N	M	🔑	L mm	L ₂ mm	Code Assembled	Code	
Material	Type									Base	Spindle
FE.ZN	15E	12.000	M12	9	12.000	9	95	70	176200	821573	831458
							115	90	176201		831460
							135	110	176202		831462
							155	130	176203		831464
		14.000	M14	11	11	105	80	176204	831466		
						130	105	176205	831468		
						155	130	176206	831456		
						95	70	176207	831470		
	15A	15.000	M16	13	13	145	120	176208	831472		
						185	160	176209	831474		
						205	180	176210	831476		
						105	80	176211	831478		
		16.000	M20	16	16	140	110	176212	831480		
						185	155	176213	831482		
						215	185	176214	831484		
						95	70	176250	831457		
INOX	15E	12.000	M12	9	12.000	9	95	70	176250	821573	831457
							115	90	176251		831459
							135	110	176252		831461
							155	130	176253		831463
		14.000	M14	11	11	105	80	176254	831465		
						130	105	176255	831467		
						155	130	176256	831455		
						95	70	176257	831469		
	15A	15.000	M16	13	13	145	120	176258	831471		
						185	160	176259	831473		
						205	180	176260	831475		
						105	80	176261	831477		
		16.000	M20	16	16	140	110	176262	831479		
						185	155	176263	831481		
						215	185	176264	831483		
						95	70	176250	831457		

General tolerance on total height L ± 2 mm



MATERIAL INFORMATION

Spindle, nut and washer (see table):
INOX Stainless Steel AISI 304
FE.ZN Zinc Plated
Base: Reinforced polyamide.

Characteristics:
 The foot can be fixed to the floor by opening the signs marked on the base.

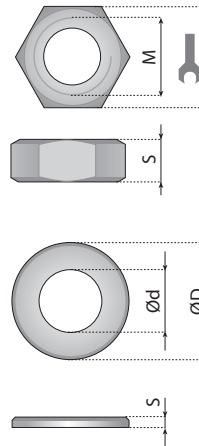
ACCESSORIES

code FE.ZN	code INOX	Nuts		
		M	🔑	S
171330	171331	8	13	6.5
171332	171333	10	17	8
171334	171335	12	19	10
171336	171337	14	22	11
171338	171339	16	24	13
171340	171341	20	30	16

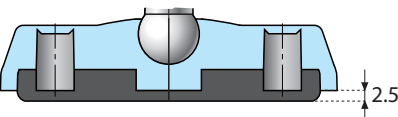
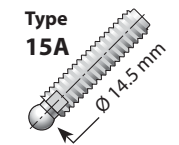
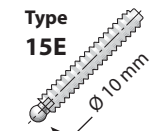
Nuts: UNI 5588-65 Packaging: 25 pieces

code FE.ZN	code INOX	Washers		
		ø d.	ø D	S
171350	171351	8.5	19	1.75
171352	171353	10.5	21	2
171354	171355	13	24	2.5
171356	171357	15	28	2.5
171358	171359	17	30	3
171360	171361	21	37	3

Washer: UNI 6592-69 Packaging: 25 pieces



SPINDLE TYPE



ANTI-SLIP PAD

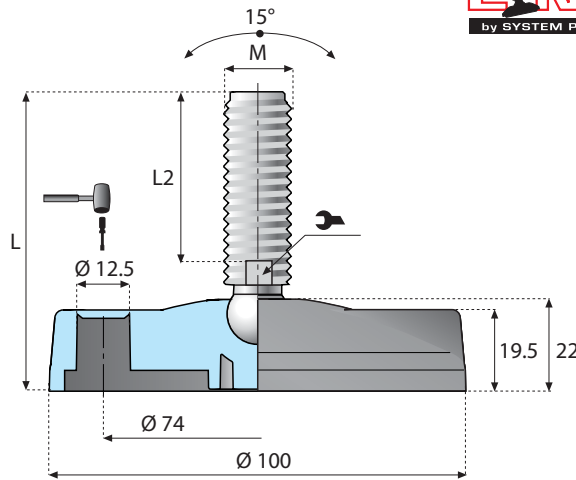


Code: 171312

Anti-slip pad: oil resistant rubber, 70 shore hardness.

Spindle		📦	M	🔑	L mm	L ₂ mm	Code Assembled	Code				
Material	Type							Base	Spindle			
FE.ZN	15D	10.000	M8	5	65	40	176300	821585C	831446			
					90	65	176301					
					70	45	176302					
			15E	13.000	M10	7	95			70	176303	831452
							120			95	176304	831454
							95			70	176305	831458
	15A	14.000			M12	9	115			90	176306	831460
							135			110	176307	831462
							155			130	176308	831464
			15A	15.000	M14	11	105			80	176309	831466
							130			105	176310	831468
							155			130	176311	831456
	15A	18.000			M16	13	95			70	176312	831470
							145			120	176313	831472
							185			160	176314	831474
			15A	18.000	M20	16	205			180	176315	831476
							105			80	176316	831478
							140			115	176317	831480
	185	160			176318	831482						
	215	190			176319	831484						
	INOX	15D			10.000	M8	5			65	40	176350
			90	65						176351		
			70	45						176352		
			15E	13.000		M10	7			95	70	176353
120								95	176354	831449		
95								70	176355	831451		
15A		14.000			M12	9	115	90	176356	831453		
							135	110	176357	831457		
							155	130	176358	831459		
			15A	15.000	M14	11	105	80	176359	831461		
							130	105	176360	831463		
							155	130	176361	831465		
15A		18.000			M16	13	95	70	176362	831467		
							145	120	176363	831469		
							185	160	176364	831471		
			15A	18.000	M20	16	205	180	176365	831473		
							105	80	176366	831475		
							140	115	176367	831477		
185		160			176368	831479						
215		190			176369	831481						

General tolerance on total height L ± 2 mm



MATERIAL INFORMATION

Spindle, nut and washer (see table):
INOX Stainless Steel AISI 304
FE.ZN Zinc Plated
Base: Reinforced polyamide.

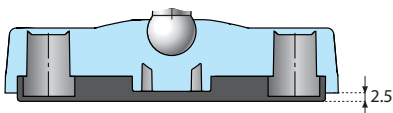
Characteristics:
 The foot can be fixed to the floor by opening the signs marked on the base.

ANTI-SLIP PAD



Code: 171314

Anti-slip pad: oil resistant rubber, 70 shore hardness.

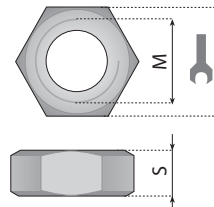


ACCESSORIES

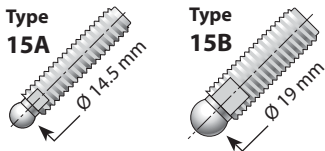
code FE.ZN	code INOX	Nuts		
		M	🔑	S
171338	171339	16	24	13
171340	171341	20	30	16
171342	171343	24	36	19

Nuts: UNI 5588-65

Packaging: 25 pieces



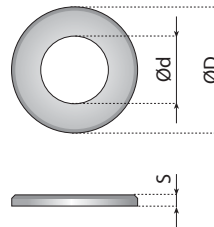
SPINDLE TYPE



code FE.ZN	code INOX	Washers		
		Ø d.	Ø D	S
171358	171359	17	30	3
171360	171361	21	37	3
171362	171363	25	44	4

Washer: UNI 6592-69

Packaging: 25 pieces



Spindle		N	M	🔑	L mm	L ₂ mm	Code Assembled	Code	
Material	Type							Base	Spindle
FE.ZN	15A	18.000	M16	13	100	70	176400	821577C	831470
					150	120	176401		831472
					190	160	176402		831474
			210	180	176403	831476			
			110	80	176404	831478			
			145	115	176405	831480			
	20.000	M20	16	190	160	176406	831482		
				220	190	176407	831484		
				125	95	176408	831486		
		M24	19	155	125	176409	831488		
				195	165	176410	831490		
				100	70	176450	831469		
INOX	15A	18.000	M16	13	150	120	176451	821577C	831471
					190	160	176452		831473
					210	180	176453		831475
			110	80	176454	831477			
			145	115	176455	831479			
			190	160	176456	831481			
	20.000	M20	16	220	190	176457	831483		
				125	95	176458	831485		
				155	125	176459	831487		
		M24	19	195	165	176460	831489		
				125	95	176458	831485		
				155	125	176459	831487		
195	165	176460	831489						

General tolerance on total height L ± 2 mm



MATERIAL INFORMATION

Spindle, nut and washer (see table):
INOX Stainless Steel AISI 304
FE.ZN Zinc Plated
Base: Reinforced polyamide.

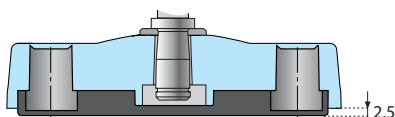
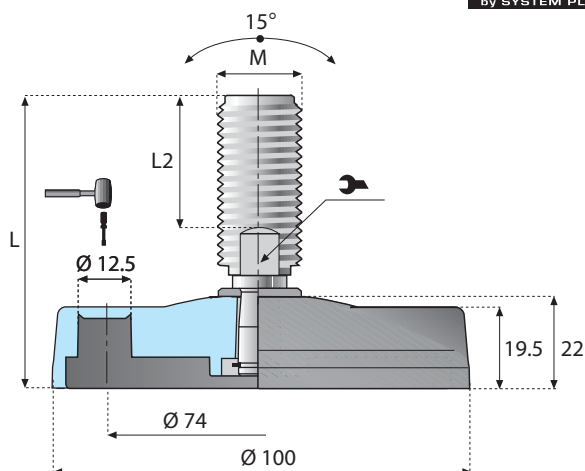
Characteristics:
 The foot can be fixed to the floor by opening the signs marked on the base.

ANTI-SLIP PAD



Code: 171314

Anti-slip pad: oil resistant rubber, 70 shore hardness.



SPINDLE TYPE

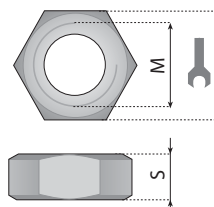


ACCESSORIES

code FE.ZN	code INOX	Nuts		
		M	Wrench	S
171338	171339	16	24	13
171340	171341	20	30	16
171342	171343	24	36	19

Nuts: UNI 5588-65

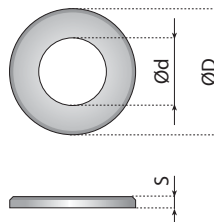
Packaging: 25 pieces



code FE.ZN	code INOX	Washers		
		Ø d.	Ø D	S
171358	171359	17	30	3
171360	171361	21	37	3
171362	171363	25	44	4

Washer: UNI 6592-69

Packaging: 25 pieces



Spindle		N	M	Wrench	L mm	L ₂ mm	Code Assembled	Code							
Material	Type							Base	Spindle						
FE.ZN	16	12.000	M16	13	98	58	175219	821755	831821						
					159	119	175220		831822						
					185	145	175221		831823						
					241	201	175222		831824						
			M20	17	150	110	175223		831825						
					178	138	175224		831826						
					200	160	175225		831827						
					136	95	175226		831828						
			M24	19	173	132	175227		831829						
					208	167	175228		831830						
					INOX	16	12.000		M16	13	98	58	175229	821755	831831
											159	119	175230		831832
185	145	175231	831833												
241	201	175232	831834												
M20	17	150	110	175233				831835							
		178	138	175234				831836							
		200	160	175235				831837							
		136	95	175236				831838							
M24	19	173	132	175237				831839							
		208	167	175238				831840							

General tolerance on total height L ± 2 mm



MATERIAL INFORMATION

Spindle, nut and washer (see table):

INOX Stainless Steel AISI 304

FE.ZN Zinc Plated

Base: Reinforced polyamide.

Characteristics:

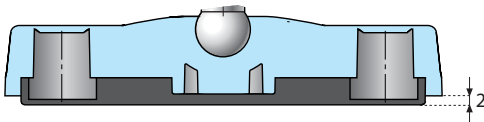
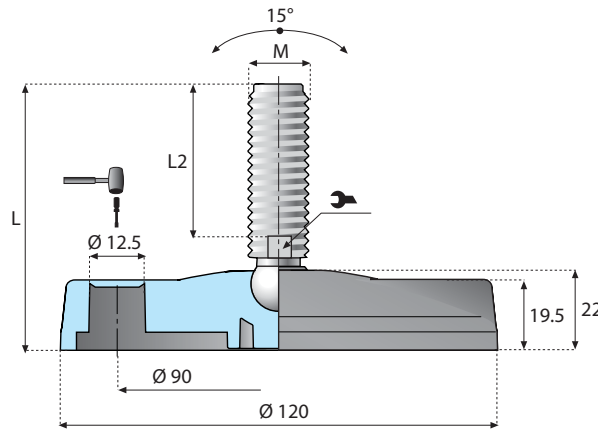
The foot can be fixed to the floor by opening the signs marked on the base.

ANTI-SLIP PAD



Code: 171326

Anti-slip pad: oil resistant rubber, 70 shore hardness.

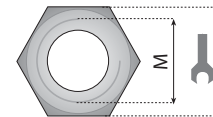


ACCESSORIES

code FE.ZN	code INOX	Nuts		
		M	Key	S
171338	171339	16	24	13
171340	171341	20	30	16
171342	171343	24	36	19

Nuts: UNI 5588-65

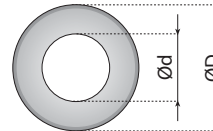
Packaging: 25 pieces



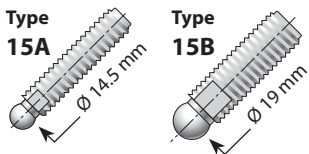
code FE.ZN	code INOX	Washers		
		Ø d.	Ø D	S
171358	171359	17	30	3
171360	171361	21	37	3
171362	171363	25	44	4

Washer: UNI 6592-69

Packaging: 25 pieces



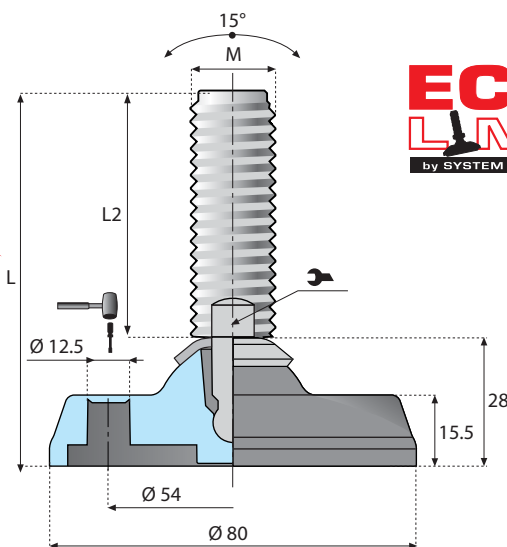
SPINDLE TYPE



Spindle		N	M	Key	L mm	L ₂ mm	Code Assembled	Code	
Material	Type							Base	Spindle
FE.ZN	15A	18.000	M16	13	100	70	176500	821579C	831470
					150	120	176501		831472
					190	160	176502		831474
			210	180	176503	831476			
			M20	16	110	80	176504		831478
					145	115	176505		831480
	190	160			176506	831482			
	15B	20.000	M24	19	125	95	176508		831484
					155	125	176509		831486
					195	165	176510		831488
			821580C	125	95	176508	831485		
				155	125	176509	831487		
195				165	176510	831489			
INOX	15A	18.000	M16	13	100	70	176550	821579C	831469
					150	120	176551		831471
					190	160	176552		831473
			210	180	176553	831475			
			M20	16	110	80	176554		831477
					145	115	176555		831479
	190	160			176556	831481			
	15B	20.000	M24	19	125	95	176558		831483
					155	125	176559		831485
					195	165	176560		831487
			821580C	125	95	176558	831485		
				155	125	176559	831487		
195				165	176560	831489			

General tolerance on total height L ± 2 mm





MATERIAL INFORMATION

Spindle, nut and washer (see table):
INOX Stainless Steel AISI 304
FE.ZN Zinc Plated
Base: Reinforced polyamide.

Characteristics:
 The foot can be fixed to the floor by opening the signs marked on the base.

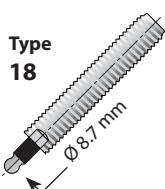
ANTI-SLIP PAD



Code: 171313

Anti-slip pad: oil resistant rubber, 70 shore hardness.

SPINDLE TYPE

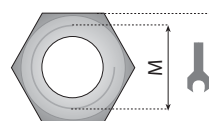


ACCESSORIES

code FE.ZN	code INOX	Nuts		
		M	Wrench	S
171334	171335	12	19	10
171338	171339	16	24	13
171340	171341	20	30	16
171342	171343	24	36	19

Nuts: UNI 5588-65

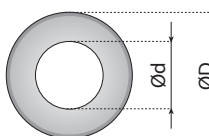
Packaging: 25 pieces



code FE.ZN	code INOX	Washers		
		Ø d.	Ø D	S
171354	171355	13	24	2.5
171358	171359	17	30	3
171360	171361	21	37	3
171362	171363	25	44	4

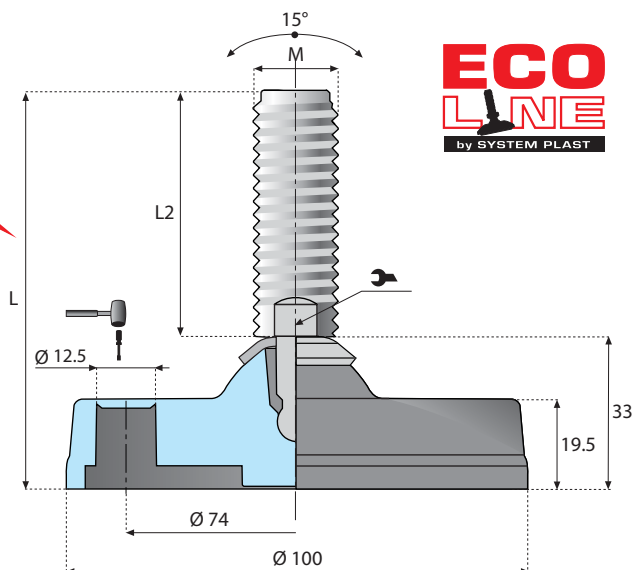
Nuts: UNI 6592-69

Packaging: 25 pieces



Spindle		N	M	Wrench	L mm	L ₂ mm	Code Assembled	Code	
Material	Type							Base	Spindle
FE.ZN	18	13.000	M12	9	98	70	176561	821856C	831882
					128	100	176562		831884
					168	140	176563		831886
					208	180	176564		831888
			M16	13	98	70	176565		831890
					128	100	176566		831892
					168	140	176567		831894
					208	180	176568		831896
			M20	16	98	70	176569		831898
					128	100	176570		831900
					168	140	176571		831902
					208	180	176572		831904
			M24	19	98	70	176573		831906
					128	100	176574		831908
					168	140	176575		831910
					208	180	176576		831912
INOX	18	13.000	M12	9	98	70	176577	821856C	831883
					128	100	176578		831885
					168	140	176579		831887
					208	180	176580		831889
			M16	13	98	70	176581		831891
					128	100	176582		831893
					168	140	176583		831895
					208	180	176584		831897
			M20	16	98	70	176585		831899
					128	100	176586		831901
					168	140	176587		831903
					208	180	176588		831905
			M24	19	98	70	176589		831907
					128	100	176590		831909
					168	140	176591		831911
					208	180	176592		831913

General tolerance on total height L ± 2 mm



MATERIAL INFORMATION

Spindle, nut and washer (see table):
INOX Stainless Steel AISI 304
FE.ZN Zinc Plated
Base: Reinforced polyamide.

Characteristics:
 The foot can be fixed to the floor by opening the signs marked on the base.

ANTI-SLIP PAD



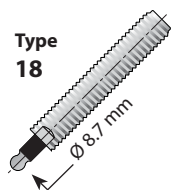
Code: 171315

Anti-slip pad: oil resistant rubber, 70 shore hardness.

ACCESSORIES

SPINDLE TYPE

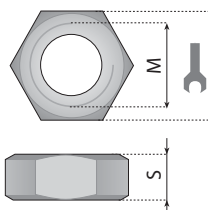
Type 18



code FE.ZN	code INOX	Nuts		
		M	🔑	S
171338	171339	16	24	13
171340	171341	20	30	16
171342	171343	24	36	19

Nuts: UNI 5588-65

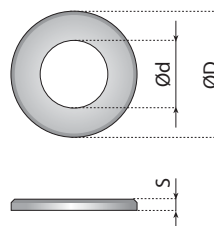
Packaging: 25 pieces



code FE.ZN	code INOX	Washers		
		Ø d.	Ø D	S
171358	171359	17	30	3
171360	171361	21	37	3
171362	171363	25	44	4

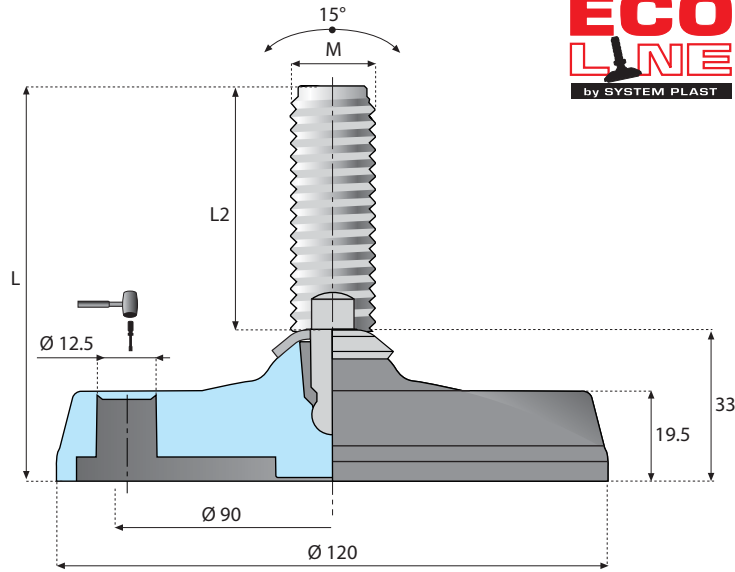
Washer: UNI 6592-69

Packaging: 25 pieces



Spindle		📦	M	🔑	L mm	L ₂ mm	Code Assembled	Code	
Material	Type							Base	Spindle
FE.ZN	18	15.000	M16	13	103	70	176593	821857C	831890
					133	100	176594		831892
					173	140	176595		831894
					213	180	176596		831896
			M20	16	103	70	176597		831898
					133	100	176598		831900
					173	140	176599		831902
					213	180	176600		831904
			M24	19	103	70	176601		831906
					133	100	176602		831908
					173	140	176603		831910
					213	180	176604		831912
INOX	18	15.000	M16	13	103	70	176605	821857C	831891
					133	100	176606		831893
					173	140	176607		831895
					213	180	176608		831897
			M20	16	103	70	176609		831899
					133	100	176610		831901
					173	140	176611		831903
					213	180	176612		831905
			M24	19	103	70	176613		831907
					133	100	176614		831909
					173	140	176615		831911
					213	180	176616		831913

General tolerance on total height L ± 2 mm



MATERIAL INFORMATION

Spindle, nut and washer (see table):
INOX Stainless Steel AISI 304
FE.ZN Zinc Plated
Base: Reinforced polyamide.

Characteristics:
 The foot can be fixed to the floor by opening the signs marked on the base.

ANTI-SLIP PAD



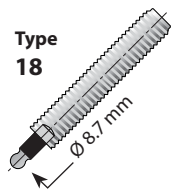
Code: 171326

Anti-slip pad: oil resistant rubber, 70 shore hardness.



SPINDLE TYPE

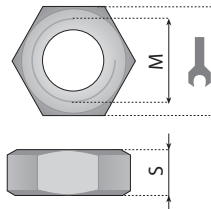
Type 18



ACCESSORIES

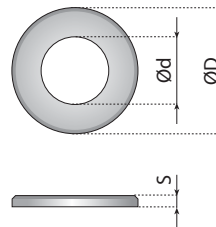
code FE.ZN	code INOX	Nuts		
		M		S
171338	171339	16	24	13
171340	171341	20	30	16
171342	171343	24	36	19

Nuts: UNI 5588-65 **Packaging:** 25 pieces



code FE.ZN	code INOX	Washers		
		Ø d.	Ø D	S
171358	171359	17	30	3
171360	171361	21	37	3
171362	171363	25	44	4

Washer: UNI 6592-69 **Packaging:** 25 pieces



Spindle			M		L mm	L ₂ mm	Code Assembled	Code	
Material	Type							Base	Spindle
FE.ZN	18		M16	13	103	70	176617	821858C	831890
					133	100	176618		831892
					173	140	176619		831894
					213	180	176620		831896
			M20	16	103	70	176621		831898
					133	100	176622		831900
					173	140	176623		831902
					213	180	176624		831904
			M24	19	103	70	176625		831906
					133	100	176626		831908
					173	140	176627		831910
					213	180	176628		831912
INOX	18		M16	13	103	70	176629	821858C	831891
					133	100	176630		831893
					173	140	176631		831895
					213	180	176632		831897
			M20	16	103	70	176633		831899
					133	100	176634		831901
					173	140	176635		831903
					213	180	176636		831905
			M24	19	103	70	176637		831907
					133	100	176638		831909
					173	140	176639		831911
					213	180	176640		831913

General tolerance on total height L ± 2 mm

Spindle is mounted, flexible into the base, so mis-alignment of max 4° can be absorbed

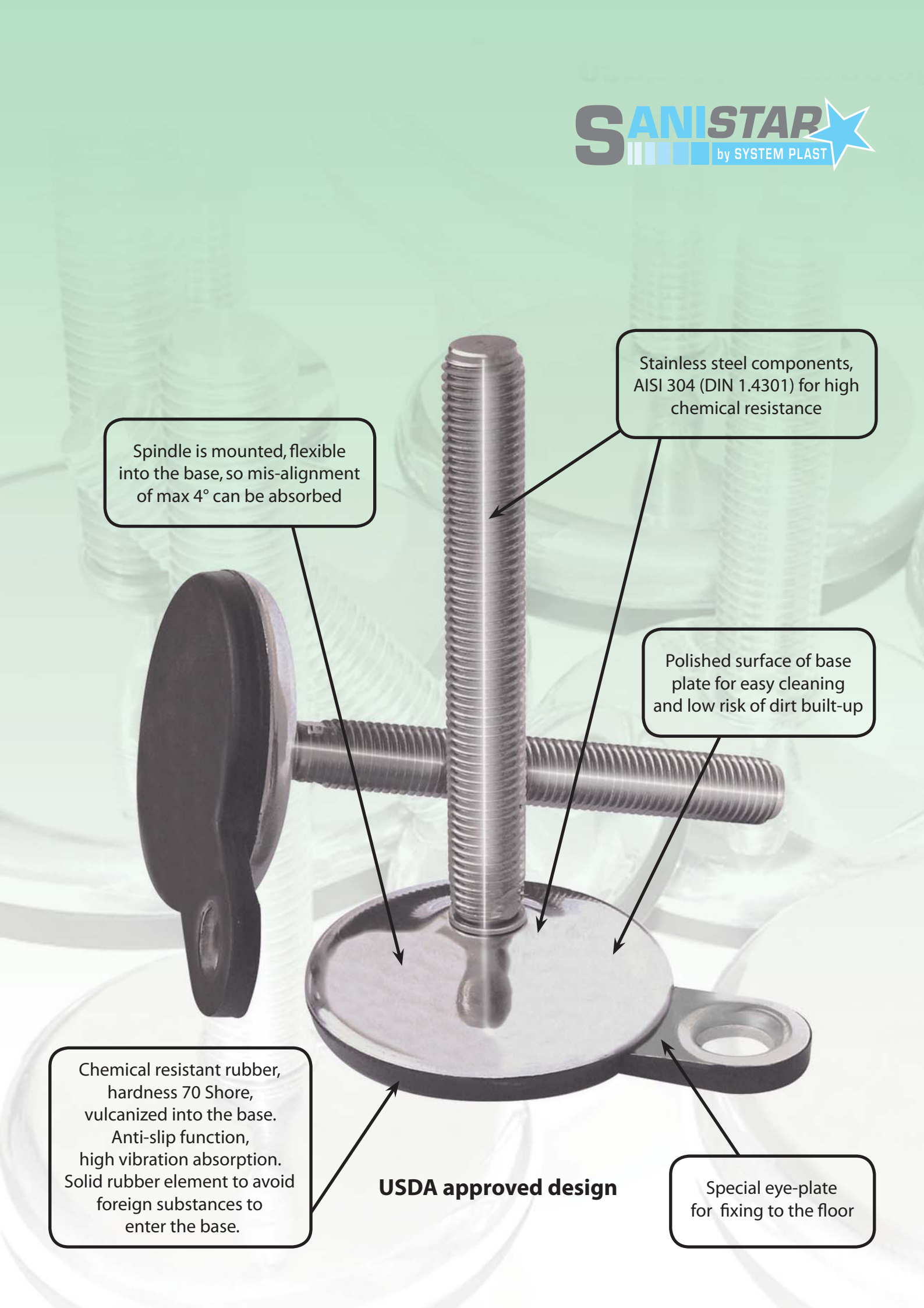
Stainless steel components, AISI 304 (DIN 1.4301) for high chemical resistance

Polished surface of base plate for easy cleaning and low risk of dirt built-up

Chemical resistant rubber, hardness 70 Shore, vulcanized into the base. Anti-slip function, high vibration absorption. Solid rubber element to avoid foreign substances to enter the base.

USDA approved design

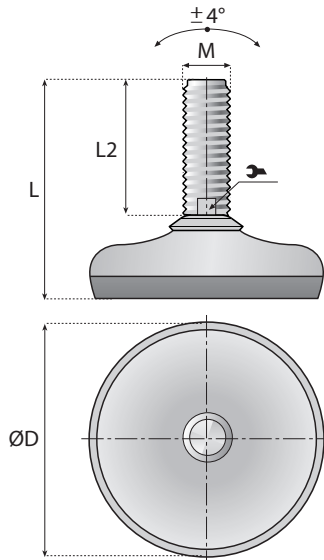
Special eye-plate for fixing to the floor





MATERIAL INFORMATION

Material, spindle and washer: Stainless Steel AISI 304
Base: Stainless Steel AISI 304 + vulcanized rubber.
Rubber: 70 shore hardness.



D.50

Ø D	N	M	mm	L mm	L ₂ mm	Code Assembled	Code	
							Spindle only	Pad & Washer
50	3.000	M10	7	75	53	177000H	831591H	
				100	78	177001H	831592H	831585
				125	103	177002H	831593H	(Pad)
		M12	9	95	78	177003H	831594H	
				115	98	177004H	831595H	171351
				135	118	177005H	831596H	(Washer)
				155	138	177006H	831597H	
		M14	11	105	88	177007H	831598H	
				130	113	177008H	831599H	831585
				155	138	177009H	831600H	(Pad)
		M16	13	100	78	177010H	831601H	
				140	118	177011H	831602H	171370
				190	168	177012H	831603H	(Washer)
				210	188	177013H	831604H	

D.75

Ø D	N	M	mm	L mm	L ₂ mm	Code Assembled	Code	
							Spindle only	Pad & Washer
75	8.000	M10	7	75	53	177050H	831591H	
				100	78	177051H	831592H	831586
				125	103	177052H	831593H	(Pad)
		M12	9	100	78	177053H	831594H	
				120	98	177054H	831595H	171351
				140	118	177055H	831596H	(Washer)
				160	138	177056H	831597H	
		M14	11	110	88	177057H	831598H	
				135	113	177058H	831599H	831586
				160	138	177059H	831600H	(Pad)
		M16	13	100	78	177060H	831601H	
				140	118	177061H	831602H	171370
				190	168	177062H	831603H	(Washer)
				210	188	177063H	831604H	

D.100

Ø D	N	M	mm	L mm	L ₂ mm	Code Assembled	Code	
							Spindle only	Pad & Washer
100	20.000	M14	11	115	88	177100H	831598H	
				140	113	177101H	831599H	831587
				165	138	177102H	831600H	(Pad)
		M16	13	105	78	177103H	831601H	
				145	118	177104H	831602H	171370
				195	168	177105H	831603H	(Washer)
				215	188	177106H	831604H	
		M20	16	120	88	177107H	831605SH	
				155	123	177108H	831606SH	831587
				200	168	177109H	831607SH	(Pad)
				230	198	177110H	831608SH	
		M24	19	135	103	177111H	831609SH	171370
				165	133	177112H	831610SH	(Washer)
				205	173	177113H	831611SH	

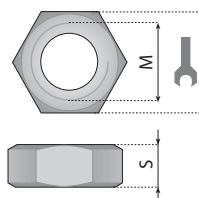
D.125

Ø D	N	M	mm	L mm	L ₂ mm	Code Assembled	Code	
							Spindle only	Pad & Washer
125	30.000	M14	11	120	88	177150H	831598H	
				145	113	177151H	831599H	831589
				170	138	177152H	831600H	(Pad)
		M16	13	110	78	177153H	831601H	
				150	118	177154H	831602H	171370
				200	168	177155H	831603H	(Washer)
				220	188	177156H	831604H	
		M20	16	120	88	177157H	831605SH	
				155	123	177158H	831606SH	831589
				200	168	177159H	831607SH	(Pad)
				230	198	177160H	831608SH	
		M24	19	135	103	177161H	831609SH	171370
				165	133	177162H	831610SH	(Washer)
				205	173	177163H	831611SH	

General tolerance on total height L ± 2 mm

ACCESSORIES

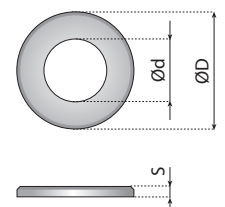
code	Nuts		
	M	mm	S
171333	10	17	8
171335	12	19	10
171337	14	22	11
171339	16	24	13
171341	20	30	16
171343	24	36	19



Nuts: UNI 5588-65 Packaging: 15 pieces

ACCESSORIES

code	Washers		
	Ø d.	Ø D	S
171351	8.5	17	1.75
171353	10.5	21	2
171355	13	24	2.5
171357	15	28	2.5
171359	17	30	3
171361	21	37	3
171363	25	44	4



Washer: UNI 6592-69 Packaging: 15 pieces

Upon request and for suitable quantities, all feet on this page can be modified to meet different specifications, i.e. we can modify spindle length, spindle thread.

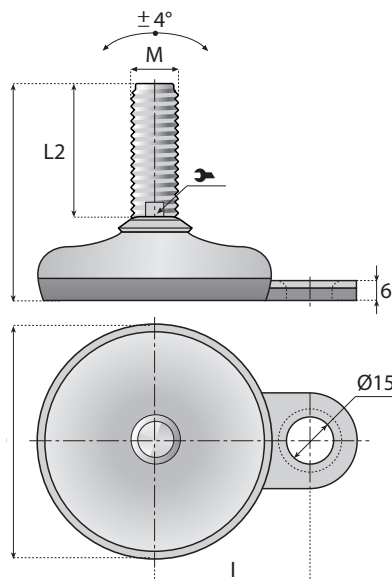


MATERIAL INFORMATION

Material, spindle and washer: Stainless Steel AISI 304

Base: Stainless Steel AISI 304 + vulcanized rubber.

Rubber: 70 shore hardness.



D.75

Ø D	l mm		M		L mm	L ₂ mm	Code Assembled	Code	
								Spindle only	Pad & Washer
75	52.5	8.000	M10	7	75	53	177200H	831591H	831612 (Pad)
					100	78	177201H	831592H	
					125	103	177202H	831593H	
			M12	9	100	78	177203H	831594H	171351 (Washer)
					120	98	177204H	831595H	
					140	118	177205H	831596H	
			M14	11	160	138	177206H	831597H	831612 (Pad)
					110	88	177207H	831598H	
					135	113	177208H	831599H	
			M16	13	160	138	177209H	831600H	171370 (Washer)
					100	78	177210H	831601H	
					140	118	177211H	831602H	
					190	168	177212H	831603H	
					210	188	177213H	831604H	

D.100

Ø D	l mm		M		L mm	L ₂ mm	Code Assembled	Code	
								Spindle only	Pad & Washer
100	65	20.000	M14	11	115	88	177250H	831598H	831613 (Pad)
					140	113	177251H	831599H	
					165	138	177252H	831600H	
			M16	13	105	78	177253H	831601H	171370 (Washer)
					145	118	177254H	831602H	
					195	168	177255H	831603H	
					215	188	177256H	831604H	
					120	88	177257H	831605SH	
			M20	16	155	123	177258H	831606SH	831613 (Pad)
					200	168	177259H	831607SH	
					230	198	177260H	831608SH	
			M24	19	135	103	177261H	831609SH	171370 (Washer)
					165	133	177262H	831610SH	
					205	173	177263H	831611SH	

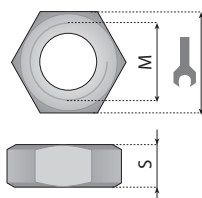
General tolerance on total height L ± 2 mm

ACCESSORIES

code	Nuts		
	M		S
171333	10	17	8
171335	12	19	10
171337	14	22	11
171339	16	24	13
171341	20	30	16
171343	24	36	19

Nuts: UNI 5588-65

Packaging: 15 pieces

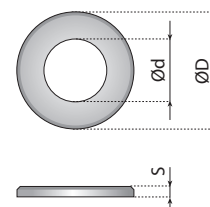


ACCESSORIES

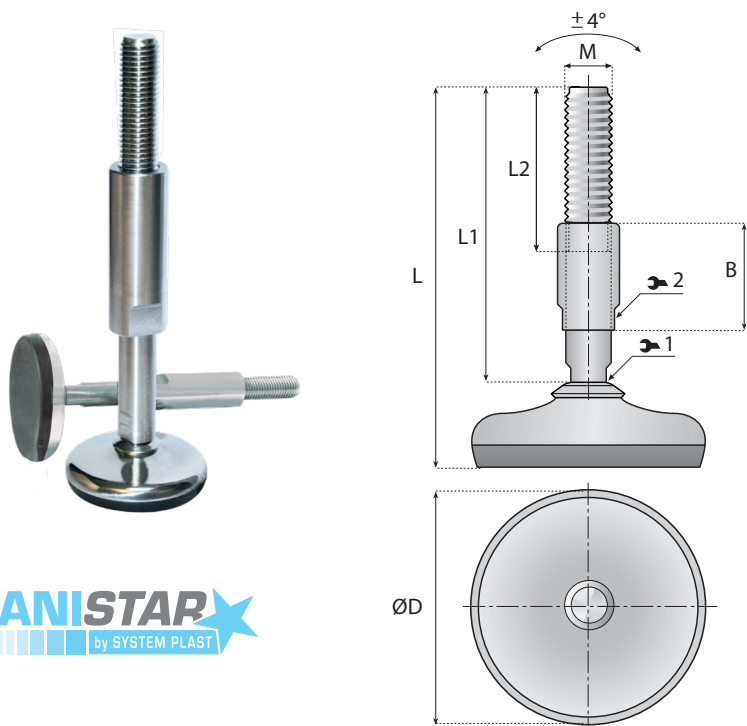
code	Washers		
	Ø d.	Ø D	S
171351	8.5	17	1.75
171353	10.5	21	2
171355	13	24	2.5
171357	15	28	2.5
171359	17	30	3
171361	21	37	3
171363	25	44	4

Washer: UNI 6592-69

Packaging: 15 pieces



Upon request and for suitable quantities, all feet on this page can be modified to meet different specifications, i.e. we can modify spindle length, spindle thread.

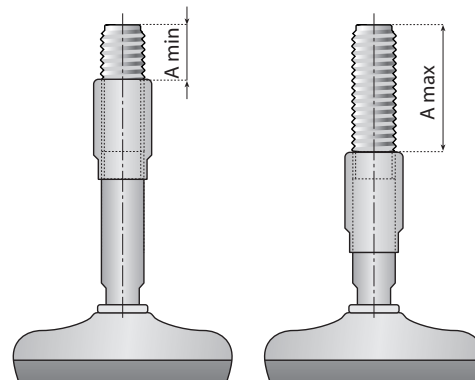


MATERIAL INFORMATION

Material, spindle and washer: Stainless Steel AISI 304
Base: Stainless Steel AISI 304 + vulcanized rubber.
Rubber: 70 shore hardness.

ADJUSTMENT RANGE

	A min	A max
L ₁ = 160 B = 55	56.6	95.4
L ₁ = 210 B = 85	45.6	114.5



D.75

Ø D	N	M	1 mm	2 mm	L mm	L ₁ mm	L ₂ mm	B mm	Code Assembled	Code			
										Spindle only	Bushing only	Pad & Washer	
75	8.000	M16	13	19	185	160	110	55	177300H	831615H	831621	831586 (Pad)	
					235	210	130	85	177301H	831616H	831622		
		M20	16	24	185	160	110	55	177302H	831617H	831623		171370 (Washer)
					235	210	130	85	177303H	831618H	831624		
		M24	19	27	185	160	110	55	177304H	831619H	831625	831620H	831626
					235	210	130	85	177305H	831620H	831626		

D.100

Ø D	N	M	1 mm	2 mm	L mm	L ₁ mm	L ₂ mm	B mm	Code Assembled	Code			
										Spindle only	Bushing only	Pad & Washer	
100	20.000	M16	13	19	190	160	110	55	177310H	831615H	831621	831587 (Pad)	
					240	210	130	85	177311H	831616H	831622		
		M20	16	24	190	160	110	55	177312H	831617H	831623		171370 (Washer)
					240	210	130	85	177313H	831618H	831624		
		M24	19	27	190	160	110	55	177314H	831619H	831625	831620H	831626
					240	210	130	85	177315H	831620H	831626		

D.125

Ø D	N	M	1 mm	2 mm	L mm	L ₁ mm	L ₂ mm	B mm	Code Assembled	Code			
										Spindle only	Bushing only	Pad & Washer	
125	30.000	M16	13	19	195	160	110	55	177320H	831615H	831621	831589 (Pad)	
					245	210	130	85	177321H	831616H	831622		
		M20	16	24	195	160	110	55	177322H	831617H	831623		171370 (Washer)
					245	210	130	85	177323H	831618H	831624		
		M24	19	27	195	160	110	55	177324H	831619H	831625	831620H	831626
					245	210	130	85	177325H	831620H	831626		

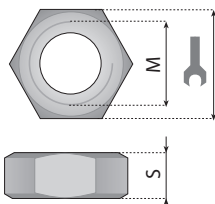
General tolerance on total height L ± 2 mm

ACCESSORIES

code	Nuts		
	M	1 mm	S
171339	16	24	13
171341	20	30	16
171343	24	36	19

Nuts: UNI 5588-65

Packaging: 15 pieces

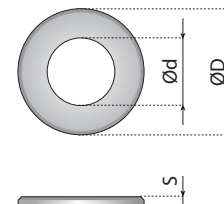


ACCESSORIES

code	Washers		
	Ø d.	Ø D	S
171359	17	30	3
171361	21	37	3
171363	25	44	4

Washer: UNI 6592-69

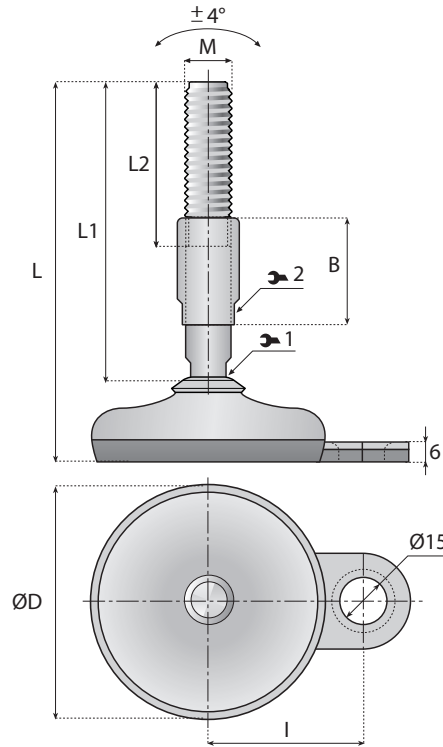
Packaging: 15 pieces



Upon request and for suitable quantities, all feet on this page can be modified to meet different specifications, i.e. we can modify spindle length, spindle thread.

FIXED FEET

D.75 - D.100 with hole and thread cover

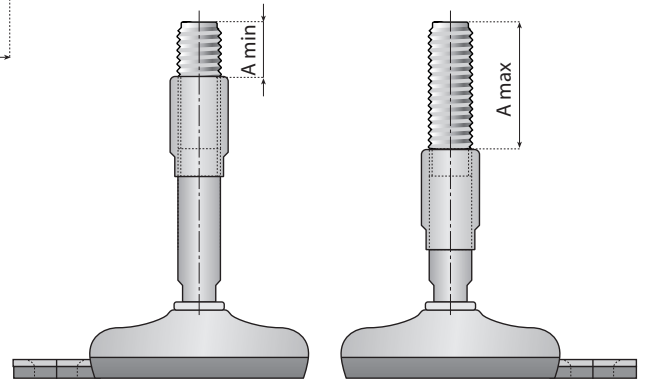


MATERIAL INFORMATION

Material, spindle and washer: Stainless Steel AISI 304
Base: Stainless Steel AISI 304 + vulcanized rubber.
Rubber: 70 shore hardness.

ADJUSTMENT RANGE

	A min	A max
L ₁ = 160 B = 55	56.6	95.4
L ₁ = 210 B = 85	45.6	114.5



D.75

Ø D	I mm	N	M	Wrench 1 mm	Wrench 2 mm	L mm	L ₁ mm	L ₂ mm	B mm	Code Assembled	Code		
											Spindle only	Bushing only	Pad & Washer
75	52.5	8.000	M16	13	19	185	160	110	55	177350H	831615H	831621	831612 (Pad) 171370 (Washer)
						235	210	130	85	177351H	831616H	831622	
			M20	16	24	185	160	110	55	177352H	831617H	831623	
						235	210	130	85	177353H	831618H	831624	
			M24	19	27	185	160	110	55	177354H	831619H	831625	
						235	210	130	85	177355H	831620H	831626	

D.100

Ø D	I mm	N	M	Wrench 1 mm	Wrench 2 mm	L mm	L ₁ mm	L ₂ mm	B mm	Code Assembled	Code		
											Spindle only	Bushing only	Pad & Washer
100	65	20.000	M16	13	19	190	160	110	55	177360H	831615H	831621	831613 (Pad) 171370 (Washer)
						240	210	130	85	177361H	831616H	831622	
			M20	16	24	190	160	110	55	177362H	831617H	831623	
						240	210	130	85	177363H	831618H	831624	
			M24	19	27	190	160	110	55	177364H	831619H	831625	
						240	210	130	85	177365H	831620H	831626	

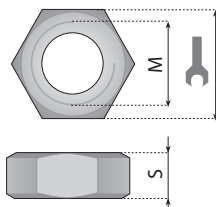
General tolerance on total height L ± 2 mm

ACCESSORIES

code	Nuts		
	M	Wrench	S
171339	16	24	13
171341	20	30	16
171343	24	36	19

Nuts: UNI 5588-65

Packaging: 15 pieces

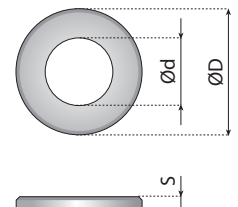


ACCESSORIES

code	Washers		
	Ø d.	Ø D	S
171359	17	30	3
171361	21	37	3
171363	25	44	4

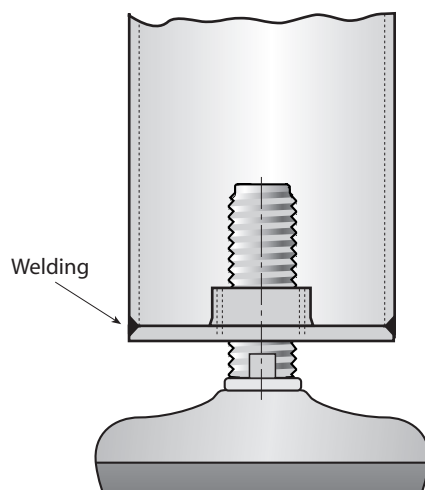
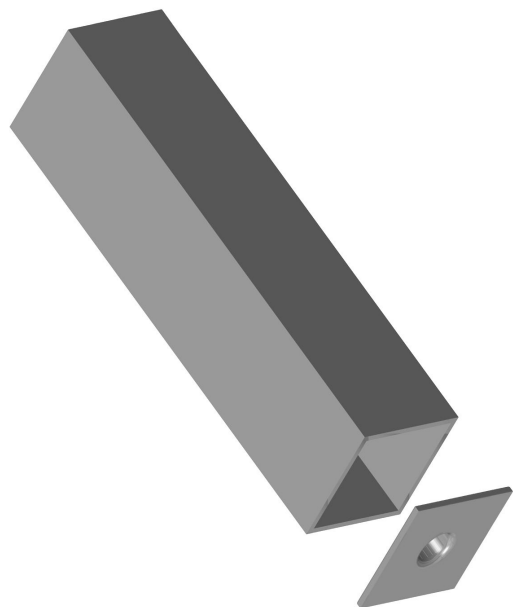
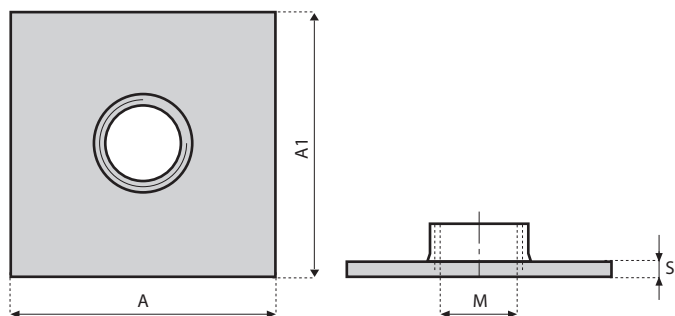
Washer: UNI 6592-69

Packaging: 15 pieces



Upon request and for suitable quantities, all feet on this page can be modified to meet different specifications, i.e. we can modify spindle length, spindle thread.

WELDING PLATES



MATERIAL INFORMATION

Material:
INOX Stainless Steel AISI 304

code	M	A mm	A 1 mm	S mm
14851	M12	40	40	3
14852	M16			
14853	M20			
14854	M16	50	50	3
14855	M20			4



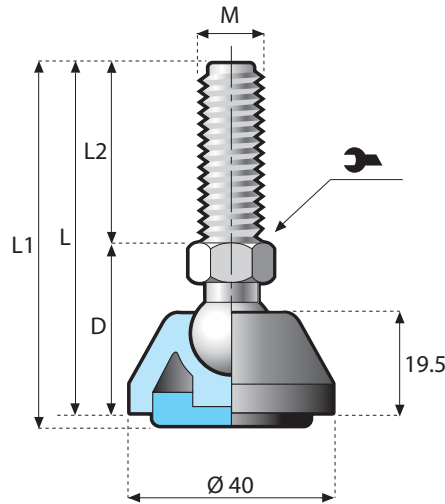
ARTICULATED FEET



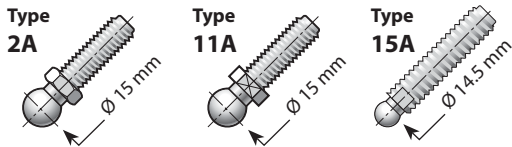
MATERIAL INFORMATION

Spindle, nut and washer
(see table):
INOX Stainless Steel AISI 304
FE.ZN Zinc Plated
OT.NI Nickel Plated Brass
Base: Reinforced polyamide.

Code standard: Without rubber
Code anti-slip: With rubber



SPINDLE TYPE



ANTI-SLIP PAD

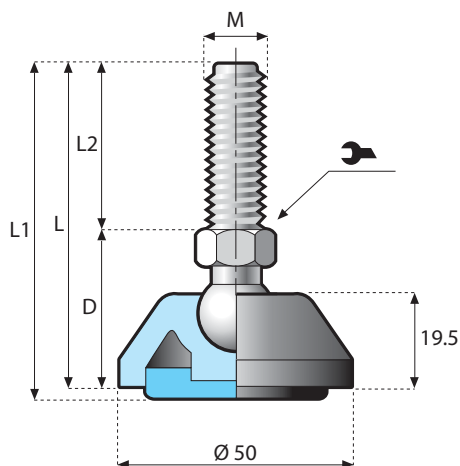


Code: 171308

Anti-slip pad: oil resistant rubber, 70 shore hardness.

* This product was modified recently.

Spindle			M	D mm		L mm	L ₁ mm	L ₂ mm	Code		Code					
Material	Type								Standard Assembled	Anti-Slip Assembled	Base	Spindle				
FE.ZN	2A		M8	28	14	71	74	43	17723	17724	82379	83113				
						71	74	43	17925	17926		83241				
						99	102	71	17083	17117		83010				
						153	156	125	17727	17728		83111				
						153	156	125	17101	17124		83012				
	153		156			125	17127	17133	83014							
	15A*		12.000			M16	30	13	99	102		69	17129*	17135*	82379S	831470*
									149	152		119	17130*	17136*	831472*	
									189	192		159	17131*	17137*	831474*	
									71	74		43	17729	17730	82379	83112
71		74		43	17929				17930	83260						
99	102	71	17082	17116	83004											
153	156	125	17733	17734	83110											
71	74	43	17931	17932	83261											
99	102	71	17085	17119	83005											
153	156	125	17102	17125	83006											
99	102	71	17138	17144	83007											
99	102	69	17141*	17147*	82379S	831469*										
149	152	119	17142*	17148*	831471*											
189	192	159	17143*	17149*	831473*											
OT.NI	11A		M16	35	13	109	112	74	170419	170421	82379	83020				
						149	152	114	170420	170422		83021				

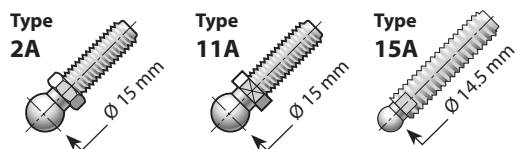


MATERIAL INFORMATION

Spindle, nut and washer (see table):
INOX Stainless Steel AISI 304
FE.ZN Zinc Plated
OT.NI Nickel Plated Brass
Base: Reinforced polyamide.

Code standard: Without rubber
Code anti-slip: With rubber

SPINDLE TYPE



ANTI-SLIP PAD

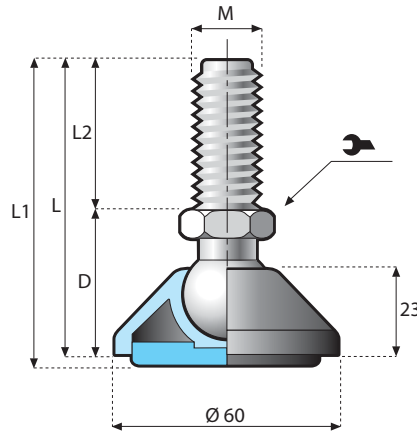


Code: 171309

Anti-slip pad: oil resistant rubber, 70 shore hardness.

* This product was modified recently.

Spindle		N	M	D mm	Wrench	L mm	L ₁ mm	L ₂ mm	Code		Code		
Material	Type								Standard Assembled	Anti-Slip Assembled	Base	Spindle	
FE.ZN	2A	12.000	M8	28	14	71	74	43	17735	17736	82377	83113	
			M10			71	74	43	17917	17918		83241	
			M12			99	102	71	17088	17103		83010	
			M14			153	156	125	17739	17740		83111	
			M14			153	156	125	17094	17109		83012	
	15A*	12.000	M16	30	13	99	102	69	17096*	17111*	82377S	831470*	
						149	152	119	17099*	17114*		831472*	
						189	192	159	17168*	17169*		831474*	
						71	74	43	17741	17742		82377	83112
						71	74	43	17921	17922			83260
99	102	71	17089	17104	83004								
153	156	125	17745	17746	83110								
71	74	43	17923	17924	83261								
INOX	2A	12.000	M10	28	14	99	102	71	17092	17107	82377	83005	
			M12			153	156	125	17095	17110		83006	
			M14			99	102	71	17170	17174		83007	
			M14			99	102	69	17097*	17112*		831469*	
			M14			149	152	119	17100*	17115*		831471*	
	15A*	12.000	M16	30	13	189	192	159	17173*	17177*	82377S	831473*	
						109	112	74	170423	170425		82377	83020
						149	152	114	170424	170426			83021



MATERIAL INFORMATION

Spindle, nut and washer (see table):
INOX Stainless Steel AISI 304
FE.ZN Zinc Plated
OT.NI Nickel Plated Brass
PA.FE Polyamide with Steel Insert
 ● Without Nut
Base: Reinforced polyamide.
Code standard: Without rubber
Code anti-slip: With rubber

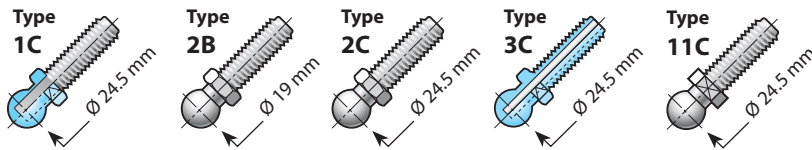
ANTI-SLIP PAD



Code: 171310

Anti-slip pad: oil resistant rubber, 70 shore hardness.

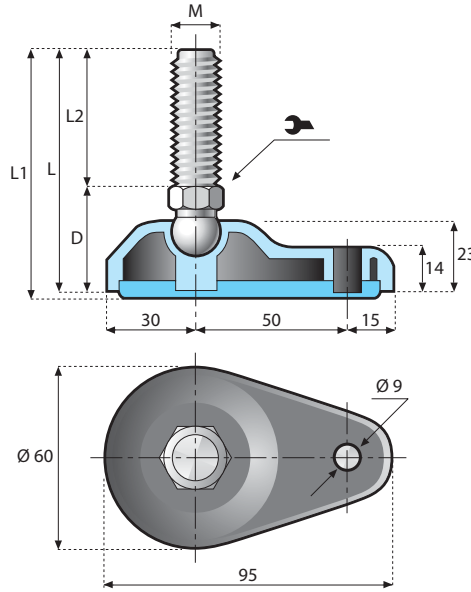
SPINDLE TYPE



Spindle		N	M	D mm	Washer	Material nut	L mm	L ₁ mm	L ₂ mm	Code		Code			
Material	Type									Standard Assembled	Anti-Slip Assembled	Base	Spindle		
FE.ZN	1C	12.000	M12	42	24	FE.ZN	107	110	65	17261	17265	82168	82274		
			M14				157	160	115	17188	17194		82314		
			M16				157	160	115	17304	17305		82277		
			M20				157	160	115	17447	17449		82280		
							202	205	160	17002	17004		82281		
	2B	15.000	M16	34	20	●	159	162	110	17271	17275		82283		
							202	205	153	17273	17277		82284		
							94	97	60	171030	171038		83977		
							149	152	115	171031	171039		83978		
							179	182	145	171032	171040		83979		
			M20	229	232	195	171033	171041	83980						
				119	122	85	171034	171042	83981						
				149	152	115	171035	171043	83982						
				179	182	145	171036	171044	83983						
				229	232	195	171037	171045	83984						
	2C	15.000	M16	41	24	FE.ZN	98	101	57	17774	17775		83252		
							156	159	115	17776	17777		83253		
							186	189	145	17778	17779		83254		
							236	239	195	17879	17937		83368		
							126	129	85	17780	17781		83255		
M20			156			159	115	17490	17494	83161					
			186			189	145	17491	17495	83162					
			236			239	195	17191	17197	82282					
			126			129	85	17888	17889	83256					
			156			159	115	17890	17891	83257					
M24			186			189	145	17892	17893	83258					
			236			239	195	17198	17199	83370					
			INOX			107	110	65	17519	17523	82264				
						157	160	115	17524	17525	82265				
						202	205	160	17282	17289	82266				
94	97	60		171046	171054	83969									
149	152	115		171047	171055	83970									
1C	12.000	M16	42	24	INOX	179	182	145	171048	171056	83971				
						229	232	195	171049	171057	83972				
						119	122	85	171050	171058	83973				
						149	152	115	171051	171059	83974				
						179	182	145	171052	171060	83975				
		2B			15.000	M16	34	20	●	98	101	57	17766	17767	83244
										156	159	115	17768	17769	83245
										186	189	145	17770	17771	83246
										236	239	195	17851	17852	83365
										126	129	85	17772	17773	83247
M20	156		159	115		17488			17492	83159					
	186		189	145		17489			17493	83160					
	236		239	195		17283			17290	83366					
	126		129	85		17866			17867	83249					
	156		159	115		17868			17869	83250					
M24	186	189	145	17873	17874	83251									
	236	239	195	17284	17291	83367									
	PA.FE	3C	4.000	M16	42	24	FE.ZN	104	107	62	17514	17714	82193		
							INOX	104	107	62	17515	17715	82193		
							●	126	129	74	17899	17916	82454		
179							182	127	17371	17372	82247				
OT.NI							11C	12.000	M16	41	20	FE.ZN	98	101	57
	156	159	115	17300	17302	83023									
	INOX	98	101	57	17517	17722						83022			
	156	159	115	17301	17303	83023									

ARTICULATED FOOT

SINGLE LAG HOLE PAD



MATERIAL INFORMATION

Spindle, nut and washer (see table):

- INOX** Stainless Steel AISI 304
- FE.ZN** Zinc Plated
- OT.NI** Nickel Plated Brass
- PA.FE** Polyamide with Steel Insert
- Without Nut

Base: Reinforced polyamide.

Code standard: Without rubber
Code anti-slip: With rubber

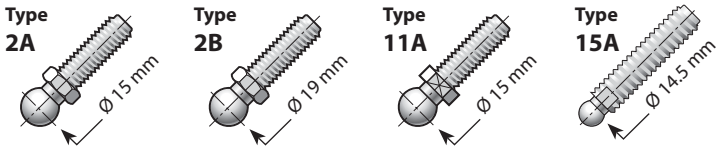
ANTI-SLIP PAD



Code: 171311

Anti-slip pad: oil resistant rubber, 70 shore hardness.

SPINDLE TYPE

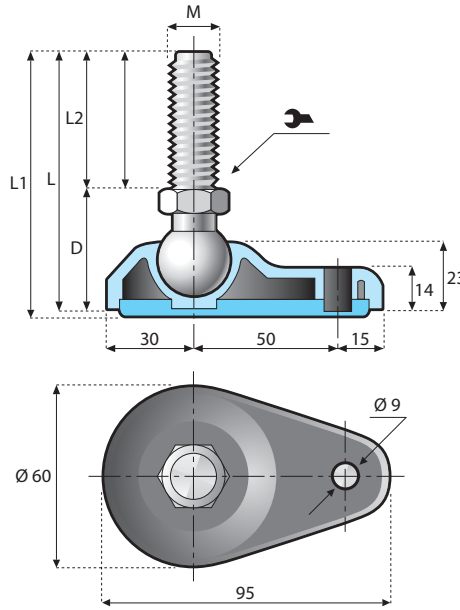


* This product was modified recently.

Spindle		N	M	D mm	Wrench	Material nut	L mm	L ₁ mm	L ₂ mm	Code		Code	
Material	Type									Standard Assembled	Anti-Slip Assembled	Base	Spindle
FE.ZN	2A	15.000	M8	32	14	FE.ZN	75	78	43	170963	170979	82968	83113
			M10				75	78	43	170965	170981		83241
			M12				103	106	71	170966	170982		83010
			M14				157	160	125	170967	170983		83111
			M14				157	160	125	170970	170986		83012
	15A*		M16	157	160		125	170972	170988	83014			
			M20	103	106		69	170974*	170990*	831470*			
				153	156		119	170975*	170991*	831472*			
				193	196		159	170976*	170992*	831474*			
			2B	M20	148		151	113	170977*	170993*	831480*		
	193				196		158	170978*	170994*	831482*			
	94				97		60	171062	171070	83977			
	M16			149	152		115	171063	171071	83978			
				179	182		145	171064	171072	83979			
				229	232		195	171065	171073	83980			
	INOX		2A	15.000	M8		32	14	INOX	94	97		60
M10		149			152	115				171067	171075	83982	
M12		179			182	145				171068	171076	83983	
M14		229			232	195				171069	171077	83984	
15A*		M16	75		78	43	170995	171011		82968	83112		
			75		78	43	170997	171013			83260		
			103		106	71	170998	171014			83004		
			157		160	125	170999	171015			83110		
			75		78	43	171000	171016			83261		
2B	M20	103	106	71	171001	171017	83005						
		157	160	125	171002	171018	83006						
		103	106	71	171003	171019	83007						
	M16	103	106	69	171006*	171022*	831469*						
		153	156	119	171007*	171023*	831471*						
		193	196	159	171008*	171024*	831473*						
		94	97	60	171078	171086	83969						
		149	152	115	171079	171087	83970						
		179	182	145	171080	171088	83971						
M20	34	20	●	229	232	195	171081	171089	83972				
				119	122	85	171082	171090	83973				
				149	152	115	171083	171091	83974				
				179	182	145	171084	171092	83975				
				229	232	195	171085	171093	83976				
				113	116	74	170959	170961	83020				
OT.NI	11A	12.000	M16	39	13	INOX	153	156	114	170960	170962	83021	

SINGLE LAG HOLE PAD

ARTICULATED FOOT



MATERIAL INFORMATION

Spindle, nut and washer
(see table):

- INOX** Stainless Steel AISI 304
- FE.ZN** Zinc Plated
- OT.NI** Nickel Plated Brass
- PA.FE** Polyamide with Steel Insert

● Without Nut
Base: Reinforced polyamide.

Code standard: Without rubber
Code anti-slip: With rubber

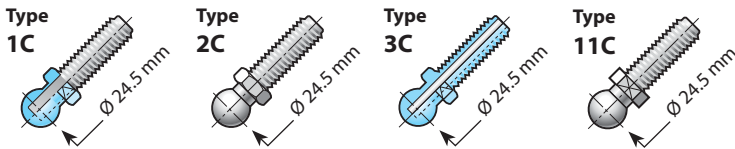
ANTI-SLIP PAD



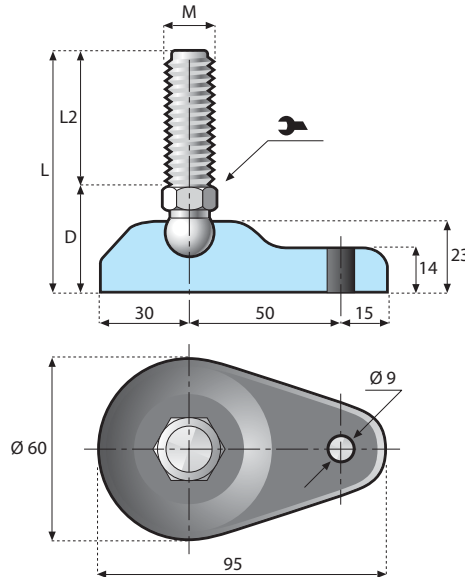
Code: 171311

Anti-slip pad: oil resistant rubber, 70 shore hardness.

SPINDLE TYPE



Spindle		N	M	D mm	Wrench	Material nut	L mm	L ₁ mm	L ₂ mm	Code		Code		
Material	Type									Standard Assembled	Anti-Slip Assembled	Base	Spindle	
FE.ZN	1C	12.000	M12	42	24	FE.ZN	107	110	65	170768	170781	82970	82274	
			M14				157	160	115	170772	170785		82314	
			M16				157	160	115	170775	170788		82277	
			●				M20	157	160	115	170777		170790	82280
							M24	202	205	160	170778		170791	82281
								159	162	110	170779		170792	82283
	2C	15.000	M16	41	24	FE.ZN	202	205	153	170780	170793		82284	
							●	98	101	57	170848		170860	83252
								156	159	115	170849		170861	83253
								186	189	145	170850		170862	83254
							●	236	239	195	170851		170863	83368
								126	129	85	170852		170864	83255
156	159	115	170853	170865	83161									
●	M20	186	189	145	170854	170866	83162							
		236	239	195	170855	170867	82282							
		126	129	85	170856	170868	83256							
	M24	156	159	115	170857	170869	83257							
		186	189	145	170858	170870	83258							
		236	239	195	170859	170871	83370							
INOX	1C	12.000	M16	42	24	INOX	107	110	65	170800	170813	82970	82264	
							157	160	115	170801	170814		82265	
							202	205	160	170802	170815		82266	
							98	101	57	170872	170884		83244	
							156	159	115	170873	170885		83245	
							186	189	145	170874	170886		83246	
	2C	15.000	M20	41	24	●	236	239	195	170875	170887		83365	
							126	129	85	170876	170888		83247	
							156	159	115	170877	170889		83159	
							186	189	145	170878	170890		83160	
							236	239	195	170879	170891		83366	
							126	129	85	170880	170892		83249	
●	M24	156	159	115	170881	170893	83250							
		186	189	145	170882	170894	83251							
		236	239	195	170883	170895	83367							
	PA.FE	3C	4.000	M16	42	24	FE.ZN	104	107	62	170820	170824	82970	82193
							INOX	104	107	62	170821	170825		82193
				●	M20	52	30	126	129	74	170822	170826		82454
179								182	127	170823	170827	82247		
OT.NI	11C	12.000	M16	41	20	FE.ZN	98	101	57	170828	170838	82970	83022	
							156	159	115	170829	170839		83023	
							186	189	145	170830	170840		83024	
							98	101	57	170831	170841		83022	
							156	159	115	170832	170842		83023	



MATERIAL INFORMATION

Spindle, nut and washer
(see table):

INOX Stainless Steel AISI 304

FE.ZN Zinc Plated

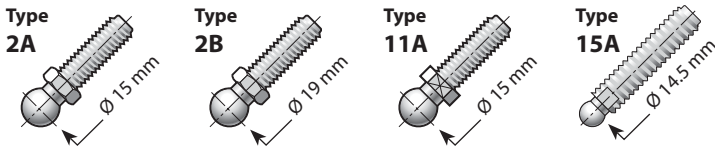
OT.NI Nickel Plated Brass

Base: Reinforced polyamide.

Solid base series:

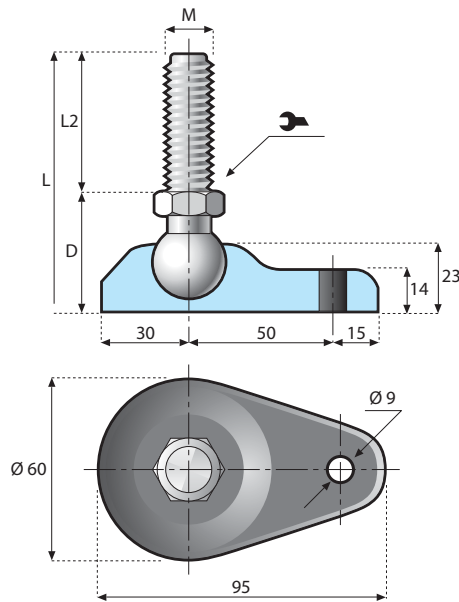
The solid base is created through new technology which will help equipment builders meet the requirements of the USDA and other government agencies, related to the prevention of contamination of food products and the growth of bacteria.

SPINDLE TYPE



* This product was modified recently.

Spindle		N	M	D mm	Wrench	L mm	L ₂ mm	Code Assembled	Code		
Material	Type								Base	Spindle	
FE.ZN	2A	22.000	M8	32	14	75	43	170898	82969	83113	
			M10			75	43	170900		83241	
			M12			103	71	170901		83010	
			M14			157	125	170902		83111	
	15A*		25.000	M16	34	13	157	125	170905	83012	83014
				M20			157	125	170907	831470*	
							103	69	170909*	831472*	
							153	119	170910*	831474*	
	2B	25.000	25.000	34	20	193	159	170911*	831480*	831482*	
						M16	148	113	170912*	83977	
							193	158	170913*	83978	
							94	60	171094	83979	
M20	25.000	25.000	34	20	149	115	171095	83980	83981		
					179	145	171096	83982			
					229	195	171097	83983			
					119	85	171098	83984			
INOX	2A	22.000	M8	32	14	94	60	171099	82969	83112	
			M10			149	115	171095		83260	
			M12			179	145	171096		83004	
			M14			157	125	170921		83110	
	15A*		25.000	25.000	34	13	75	43	170918	83261	83005
							M20	103	71	170920	83006
								157	125	170921	83007
								103	71	170922	831469*
	2B	25.000	25.000	34	20	103	69	170925*	831471*	831473*	
						M16	153	119	170926*	83969	
							193	159	170927*	83970	
							94	60	171102	83971	
M20	25.000	25.000	34	20	149	115	171103	83972	83973		
					179	145	171104	83974			
					229	195	171105	83975			
					119	85	171106	83976			
OT.NI	11A	20.000	M16	39	13	149	115	171107	82969	83020	
						179	145	171108		83021	
						229	195	171109			
						113	74	170896			



MATERIAL INFORMATION

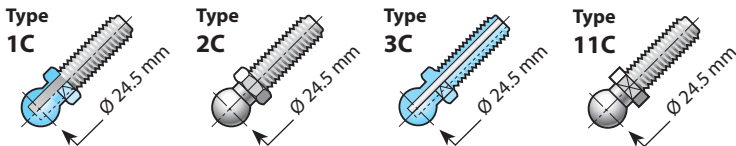
Spindle, nut and washer
(see table):

- INOX** Stainless Steel AISI 304
 - FE.ZN** Zinc Plated
 - OT.NI** Nickel Plated Brass
 - PA.FE** Polyamide with Steel Insert
- Base:** Reinforced polyamide.

Solid base series:

The solid base is created through new technology which will help equipment builders meet the requirements of the USDA and other government agencies, related to the prevention of contamination of food products and the growth of bacteria.

SPINDLE TYPE



Spindle		N	M	D mm	Wrench	L mm	L ₂ mm	Code Assembled	Code	
Material	Type								Base	Spindle
FE.ZN	1C	15.000	M12	42	24	107	65	170930	82971	82274
			M14			157	115	170934		82314
			M16			157	115	170937		82277
			M20			157	115	170939		82280
						202	160	170940		82281
						159	110	170941		82283
	M24	202	153	170942	82284					
	2C	25.000	M16	41	24	98	57	170744		83252
						156	115	170745		83253
						186	145	170746		83254
						236	195	170747		83368
						126	85	170748		83255
						156	115	170749		83161
						186	145	170750		83162
						236	195	170751		82282
						126	85	170752		83256
156						115	170753	83257		
186	145	170754	83258							
236	195	170755	83370							
INOX	1C	15.000	M16	42	24	107	65	170949	82971	82264
						157	115	170950		82265
						202	160	170951		82266
						98	57	170756		83244
						156	115	170757		83245
						186	145	170758		83246
	2C	25.000	M20	41	24	236	195	170759		83365
						98	85	170760		83247
						156	115	170761		83159
						186	145	170762		83160
						236	195	170763		83366
						98	85	170764		83249
						156	115	170765		83250
						186	145	170766		83251
						236	195	170767		83367
						PA.FE	3C	4.000		M16
M20	52	30	126	74	170957				82454	
OT.NI	11C	18.000	M16	41	20	179	127	170958	82971	82247
						98	57	170737		83022
156	115	170738	83023							



MATERIAL INFORMATION

Spindle, nut and washer
(see table):

INOX Stainless Steel AISI 304

FE.ZN Zinc Plated

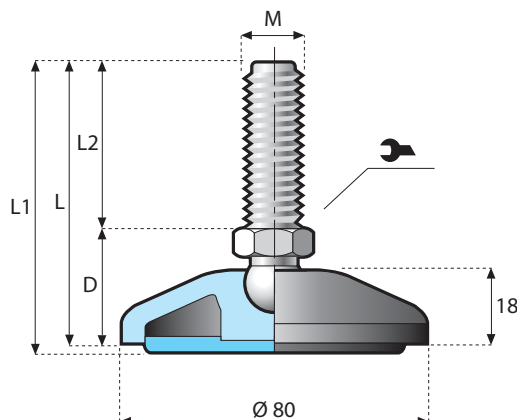
OT.NI Nickel Plated Brass

● Without Nut

Base: Reinforced polyamide.

Code standard: Without rubber

Code anti-slip: With rubber



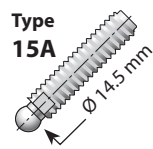
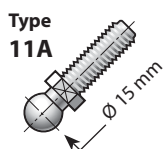
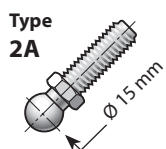
ANTI-SLIP PAD



Code: 171312

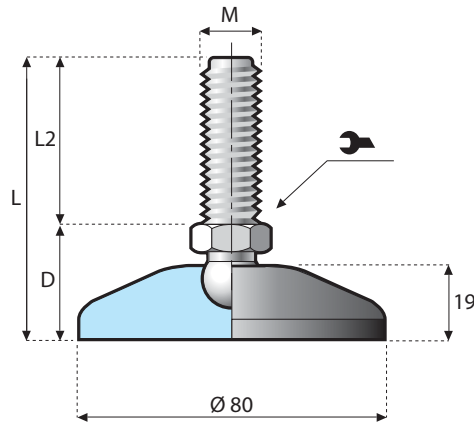
Anti-slip pad: oil resistant rubber, 70 shore hardness.

SPINDLE TYPE



* This product was modified recently.

Spindle		N	M	D mm	Wrench	Material nut	L mm	L ₁ mm	L ₂ mm	Code		Code	
Material	Type									Standard Assembled	Anti-Slip Assembled	Base	Spindle
FE.ZN	2A	15.000	M8	27	14	FE.ZN	70	73	43	170192	170195	82182	83113
			70				73	43	17900	17901	83241		
			98				101	71	17292	17293	83010		
			152				155	125	170194	170197	83111		
			152				155	125	17309	17313	83012		
	15A*		M12	29	13		152	155	125	17317	17321		83014
			M14				98	101	69	17269*	17324*		831470*
			M16				148	151	119	17322*	17325*		831472*
			M20				188	191	159	17327*	17329*		831474*
							143	146	113	17894*	17895*		831480*
188	191	158	17896*	17897*	831482*								
INOX	2A	15.000	M8	27	14	INOX	70	73	43	170198	170201	82182	83112
			70				73	43	17904	17905	83260		
			98				101	71	17296	17297	83004		
			152				155	125	170200	170203	83110		
			70				73	43	17906	17907	83261		
			98				101	71	17306	17310	83005		
			152				155	125	17308	17312	83006		
	15A*		M12	29	13		98	101	71	17314	17318		83007
			M14				98	101	69	17531*	17532*		831469*
			M16				148	151	119	17323*	17326*		831471*
			M20				188	191	159	17328*	17330*		831473*
							108	111	74	17257	17259		83020
							148	151	114	17258	17260		83021



MATERIAL INFORMATION

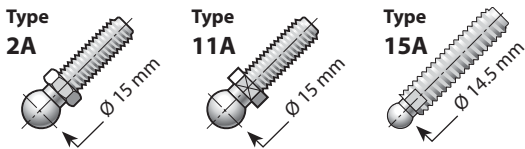
Spindle, nut and washer (see table):
INOX Stainless Steel AISI 304
FE.ZN Zinc Plated
OT.NI Nickel Plated Brass
Base: Reinforced polyamide.

Code standard: Without rubber

Solid base series:
 The solid base is created through new technology which will help equipment builders meet the requirements of the USDA and other government agencies, related to the prevention of contamination of food products and the growth of bacteria.

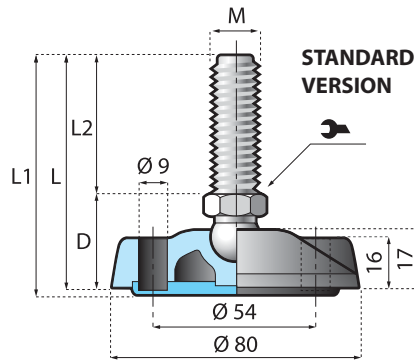
Material:
 Base in reinforced polyamide.
 Threaded spindle as in the table.

SPINDLE TYPE



* This product was modified recently.

Spindle		N	M	D mm	Wrench	L mm	L ₂ mm	Code Assembled	Code	
Material	Type								Base	Spindle
FE.ZN	2A	22.000	M8	28	14	71	43	175003	82816	83113
						71	43	175005		83241
			M10			99	71	175006		83010
						153	125	175007		83111
			M12			153	125	175010		83012
						153	125	175012		83014
	15A*		M16			99	69	175014*	82816S	831470*
						149	119	175015*		831472*
			M20			189	159	175016*		831474*
						144	113	175017*		831480*
			M20			189	158	175018*		831482*
INOX	2A	22.000	M8	28	14	71	43	175019	82816	83112
						71	43	175021		83260
			M10			99	71	175022		83004
						153	125	175023		83110
			M12			71	43	175024		83261
						99	71	175025		83005
	M14		153			125	175026	83006		
			99			71	175027	83007		
	15A*		M16			99	69	175030*	82816S	831469*
						149	119	175031*		831471*
			M20			189	159	175032*		831473*
M20		109	74	175001	82816	83020				
		149	114	175002		83021				



• **Characteristics:**
The foot can be fixed to the floor.

MATERIAL INFORMATION

Spindle, nut and washer (see table):
INOX Stainless Steel AISI 304
FE.ZN Zinc Plated
OT.NI Nickel Plated Brass
 ● Without Nut
Base: Reinforced polyamide.

Code standard: Without rubber
Code anti-slip: With rubber

Characteristics:
The foot can be fixed to the floor.

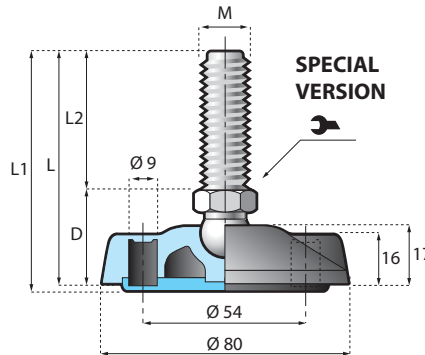
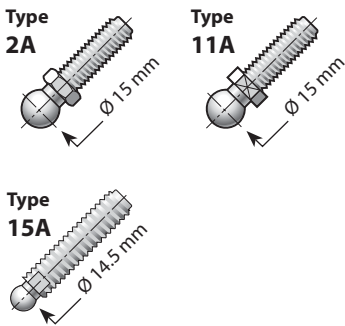
ANTI-SLIP PAD



Code: 171313

Anti-slip pad: oil resistant rubber, 70 shore hardness.

SPINDLE TYPE

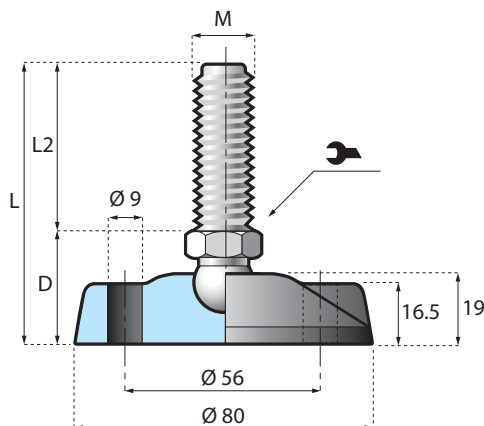


• **Characteristics:**
The foot can be fixed to the floor by opening the signs marked on the base.

►► For articulated foot **Special Version** add "C" to standard part number (example "code 170180C or 170186C")

* This product was modified recently.

Spindle		N	M	D mm	Wrench	Material nut	L mm	L ₁ mm	L ₂ mm	Code		Code	
Material	Type									Standard Assembled	Anti-Slip Assembled	Base	Spindle
FE.ZN	2A	15.000	M8	26	14	FE.ZN	69	72	43	170182	170188	82450	83113
							69	72	43	17908	17909		83241
			97				100	71	17533	17542	83010		
			151				154	125	17534	17543	83111		
			151				154	125	17536	17545	83012		
	15A*		M12				151	154	125	17538	17547		83014
							97	100	69	17540*	17549*		831470*
			M14				147	150	119	17541*	17550*		831472*
							187	190	159	17551*	17552*		831474*
							142	145	113	170020*	170077*		831480*
INOX	2A	15.000	M8	26	14	INOX	69	72	43	170184	170190	82450	83112
							69	72	43	17912	17913		83260
			97				100	71	17553	17563	83004		
			151				154	125	17554	17564	83110		
			69				72	43	17914	17915	83261		
	15A*		M12				97	100	71	17555	17565		83005
							151	154	125	17556	17566		83006
			M14				97	100	71	17557	17567		83007
							97	100	69	17560*	17570*		831469*
							147	150	119	17561*	17571*		831471*
OT.NI	11A	12.000	M16	33	13	INOX	107	110	74	170180	170186	82450	831473*
							147	150	114	170181	170187		83020
													83021



MATERIAL INFORMATION

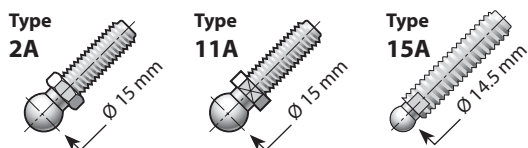
Spindle, nut and washer (see table):
INOX Stainless Steel AISI 304
FE.ZN Zinc Plated
OT.NI Nickel Plated Brass
Base: Reinforced polyamide.

Code standard: Without rubber

Solid base series:
 The solid base is created through new technology which will help equipment builders meet the requirements of the USDA and other government agencies, related to the prevention of contamination of food products and the growth of bacteria.

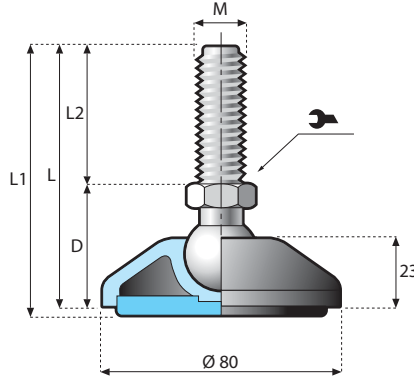
Characteristics:
 The foot can be fixed to the floor.

SPINDLE TYPE



* This product was modified recently.

Spindle		Material	Type	N	M	D mm	Wrench	L mm	L ₂ mm	Code Assembled	Code	
Material	Type										Base	Spindle
FE.ZN	2A	22.000	2A	N	M8	28	14	71	43	175037	82815	83113
					M10			71	43	175039		83241
					M12			99	71	175040		83010
					M14			153	125	175041		83111
					M14			153	125	175044		83012
	15A*		15A*		M16	99	69	175048*	83014			
					M16	149	119	175049*	831470*			
					M20	189	159	175050*	831472*			
					M20	144	113	175051*	831474*			
					M20	189	158	175052*	831480*			
INOX	2A	22.000	2A	N	M8	28	14	71	43	175053	82815	83112
					M10			71	43	175055		83260
					M12			99	71	175056		83004
					M14			153	125	175057		83110
					M14			71	43	175058		83261
	15A*		15A*		M16	99	71	175059	83005			
					M16	153	125	175060	83006			
					M16	99	71	175061	83007			
					M16	99	69	175064*	831469*			
					M16	149	119	175065*	831471*			
OT.NI	11A	20.000	11A	N	M16	35	13	109	74	175035	82815	83020
								149	114	175036		83021
								189	159	175066*		831473*



MATERIAL INFORMATION

Spindle, nut and washer
(see table):

- INOX** Stainless Steel AISI 304
 - FE.ZN** Zinc Plated
 - OT.NI** Nickel Plated Brass
 - PA.FE** Polyamide with Steel Insert
- Base:** Reinforced polyamide.

Code standard: Without rubber
Code anti-slip: With rubber

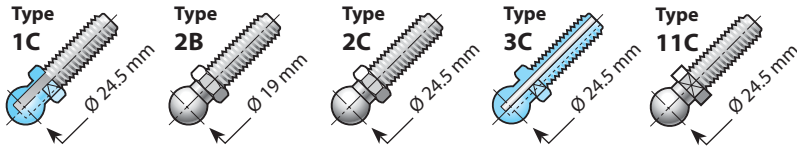
ANTI-SLIP PAD



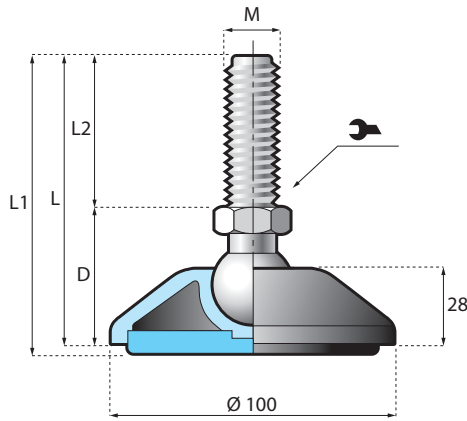
Code: 171312

Anti-slip pad: oil resistant rubber, 70 shore hardness.

SPINDLE TYPE



Spindle		N	M	D mm	Wrench	L mm	L ₁ mm	L ₂ mm	Code		Code						
Material	Type								Standard Assembled	Anti-Slip Assembled	Base	Spindle					
FE.ZN	1C	12.000	M12	42	24	107	111	65	170309	170322	82773	82274					
			M14			157	161	115	170313	170326		82314					
			M16			157	161	115	170316	170329		82277					
			M20			157	161	115	170318	170331		82280					
			M24			202	206	160	170319	170332		82281					
						159	163	110	170320	170333		82283					
	2B	15.000	M16	34	20	202	206	153	170321	170334	821125	82284					
						94	98	60	171110	171118		83977					
			149			153	115	171111	171119	83978							
			179			183	145	171112	171120	83979							
			229			233	195	171113	171121	83980							
			119			123	85	171114	171122	83981							
			M20			149	153	115	171115	171123		83982					
						179	183	145	171116	171124		83983					
			2C			15.000	M16	42	24	229		233	195	171117	171125	82773	83984
										99		103	57	170260	170272		83252
	157	161		115	170261		170273			83253							
	187	191		145	170262		170274			83254							
	237	241		195	170263		170275			83368							
	127	131		85	170264		170276			83255							
	157	161		115	170265		170277			83161							
	187	191		145	170266		170278			83162							
	M24	237	241	195	170267	170279	82282										
		127	131	85	170268	170280	83256										
INOX	1C	12.000	M16	42	24	157	161	115	170269	170281	82773	83257					
						187	191	145	170270	170282		83258					
						237	241	195	170271	170283		83370					
						107	111	65	170341	170354		82264					
						157	161	115	170342	170355		82265					
						202	206	160	170343	170356		82266					
	2B	15.000	M16	34	20	94	98	60	171126	171134	821125	83969					
						149	153	115	171127	171135		83970					
			179			183	145	171128	171136	83971							
			229			233	195	171129	171137	83972							
119			123			85	171130	171138	83973								
149			153			115	171131	171139	83974								
179			183			145	171132	171140	83975								
M20			99			103	57	170285	170297	83244							
			157			161	115	170286	170298	83245							
2C			15.000			M16	42	24	187	191		145	170287	170299	82773	83246	
	237	241		195	170288				170300	83365							
	127	131		85	170289	170301			83247								
	157	161		115	170290	170302			83159								
	187	191		145	170291	170303			83160								
	237	241		195	170292	170304			83366								
	127	131		85	170293	170305			83249								
	157	161		115	170294	170306			83250								
M24	187	191	145	170295	170307	83251											
	237	241	195	170296	170308	83367											
PA.FE	3C	4.000	M16	42	24	104	108	62	170381	170384	82773	82193					
			M20	126	130	74	170382	170385	82454								
				179	183	127	170383	170386	82247								
OT.NI	11C	12.000	M16	42	20	99	103	57	170364	170374	82773	83022					
						157	161	115	170365	170375		83023					



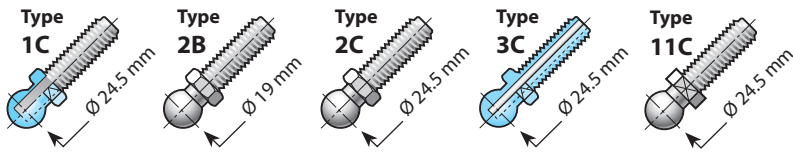
MATERIAL INFORMATION

Spindle, nut and washer
(see table):

- INOX** Stainless Steel AISI 304
 - FE.ZN** Zinc Plated
 - OT.NI** Nickel Plated Brass
 - PA.FE** Polyamide with Steel Insert
- Base:** Reinforced polyamide.

Code standard: Without rubber
Code anti-slip: With rubber

SPINDLE TYPE



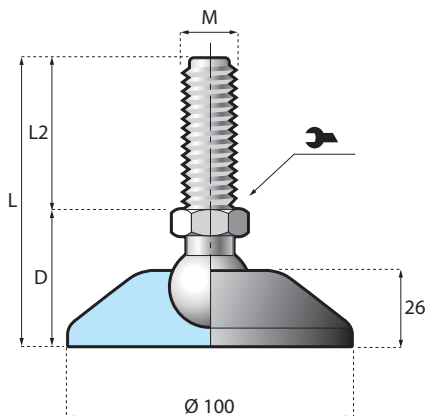
ANTI-SLIP PAD



Code: 171314

Anti-slip pad: oil resistant rubber, 70 shore hardness.

Spindle		N	M	D mm	Wrench	L mm	L ₁ mm	L ₂ mm	Code		Code					
Material	Type								Standard Assembled	Anti-Slip Assembled	Base	Spindle				
FE.ZN	1C	12.000	M12	47	24	112	115	65	17413	17416	82183	82274				
						M14	162	165	115	17420		17423	82314			
						M16	162	165	115	17338		17345	82277			
			M20			162	165	115	17349	17356		82280				
						207	210	160	17352	17359		82281				
						164	167	110	17427	17430		82283				
	2B	18.000	M16	39	20	207	210	153	17428	17431	82284	83977				
						M20	99	102	60	171142	171150	83978				
							154	157	115	171143	171151	83979				
			184				187	145	171144	171152	83980					
			2C			18.000	M16	45	24	234	237	195	171145	171153	83981	83982
										M20	124	127	85	171146	171154	83983
	154	157		115	171147						171155	83984				
	184	187		145	171148		171156				83252					
	M24	234		237	195		171149			171157	83253					
		102		105	57		17829			17830	83254					
		160	163	115	17831	17832	83368									
		190	193	145	17833	17834	83255									
		240	243	195	17425	17426	83161									
		130	133	85	17835	17836	83162									
	INOX	1C	12.000	M12	47	24	112	115	65	17337	17344	82183	82264			
							M14	162	165	115	17339		17346	82265		
							M16	207	210	160	17341		17348	82266		
				M20			99	102	60	171158	171166		83969			
154							157	115	171159	171167	83970					
184							187	145	171160	171168	83971					
2B		18.000	M16	39	20	234	237	195	171161	171169	83972					
						M20	124	127	85	171162	171170	83973				
							154	157	115	171163	171171	83974				
			184				187	145	171164	171172	83975					
			2C			18.000	M16	45	24	234	237	195	171165	171173	83976	
										M20	102	105	57	17815	17816	83244
160		163		115	17817						17818	83245				
190		193		145	17819		17820				83246					
M24		240		243	195		17445			17446	83365					
		130		133	85		17821			17822	83247					
		160	163	115	17498	17502	83159									
		190	193	145	17499	17503	83160									
		240	243	195	17355	17362	83366									
		130	133	85	17823	17824	83249									
PA.FE		3C	4.000	M16	47	24	109	112	62	17335	17342	82183	82193			
				M20	57	30	131	134	74	17496	17497		82454			
		OT.NI	11C	15.000	M16	45	20	184	187	127	17351	17358	82247			
								102	105	57	17253	17255	83022			
	160							163	115	17254	17256	83023				



MATERIAL INFORMATION

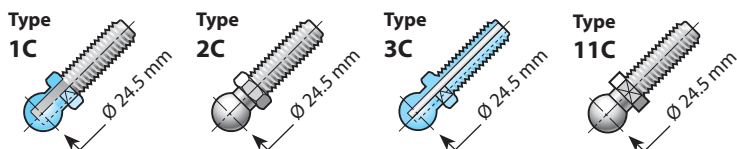
Spindle, nut and washer (see table):

- INOX** Stainless Steel AISI 304
 - FE.ZN** Zinc Plated
 - OT.NI** Nickel Plated Brass
 - PA.FE** Polyamide with Steel Insert
- Base:** Reinforced polyamide.

Solid base series

The solid base is created through new technology which will help equipment builders meet the requirements of the USDA and other government agencies, related to the prevention of contamination of food products and the growth of bacteria.

SPINDLE TYPE



Spindle		N	M	D mm	Wrench	L mm	L ₂ mm	Code Assembled	Code										
Material	Type								Base	Spindle									
FE.ZN	1C	15.000	M12	47	24	162	115	175070	82818	82275									
			M14			162	115	175073		82314									
			M16			162	115	175076		82277									
			M20			162	115	175078		82280									
	2C	25.000	M24	54	30	207	160	175079		82281									
						164	110	175080		82283									
						207	153	175081		82284									
						102	57	175134		83252									
			M16	24	45	M20	24	160		115	175135	83253							
								190		145	175136	83254							
								240		195	175137	83368							
								130		85	175138	83255							
								160		115	175139	83161							
								190		145	175140	83162							
								240		195	175141	82282							
								130		85	175142	83256							
M24	24	45	M24	24	160	115	175143	83257											
					190	145	175144	83258											
					240	195	175145	83370											
					112	65	175088	82264											
INOX	1C	15.000	M16	47	24	162	115	175089	82818	82265									
						207	160	175090		82266									
						102	57	175146		83244									
						160	115	175147		83245									
	2C	25.000	M20	45	24	190	145	175148		83246									
						240	195	175149		83365									
						130	85	175150		83247									
						160	115	175151		83159									
			M24	24	45	M24	24	190		145	175152	83160							
								240		195	175153	83366							
								130		85	175154	83249							
								160		115	175155	83250							
								190		145	175156	83251							
								240		195	175157	83367							
								PA.FE		3C	4.000	M16	47	24	109	62	175095	82818	82193
												M20	57	30	131	74	175096		82454
184	127	175097	82247																
OT.NI	11C	18.000	M16	45	20	102	57	175127	82818	83022									
						160	115	175128		83023									



MATERIAL INFORMATION

Spindle, nut and washer
(see table):

INOX	Stainless Steel AISI 304
FE.ZN	Zinc Plated
OT.NI	Nickel Plated Brass
PA.FE	Polyamide with Steel Insert

Base: Reinforced polyamide.

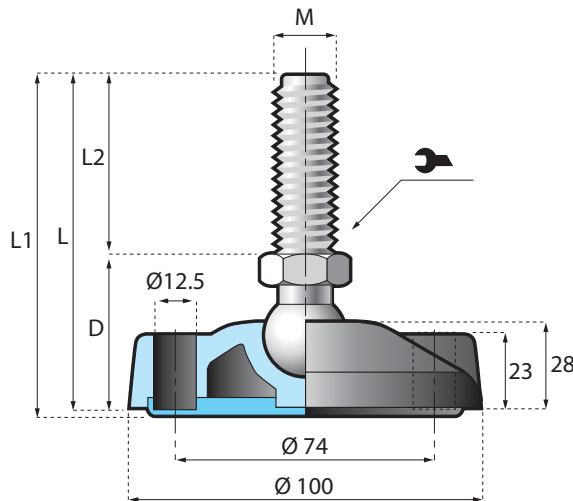
Characteristics:
The foot can be fixed to the floor.

Code standard: Without rubber

Code anti-slip: With rubber

STANDARD VERSION

● **Characteristics:**
The foot can be fixed to the floor.



ANTI-SLIP PAD

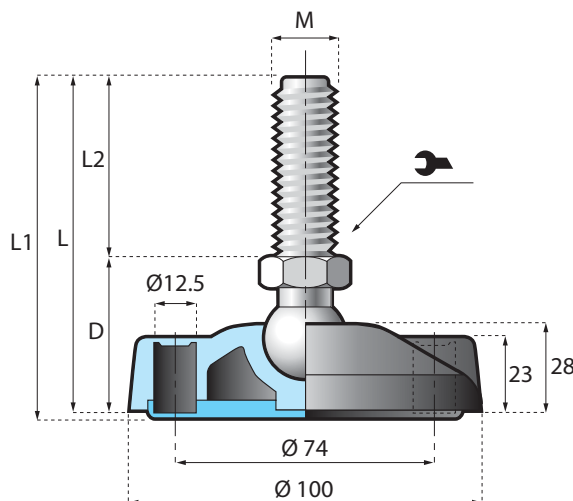


Code: 171314

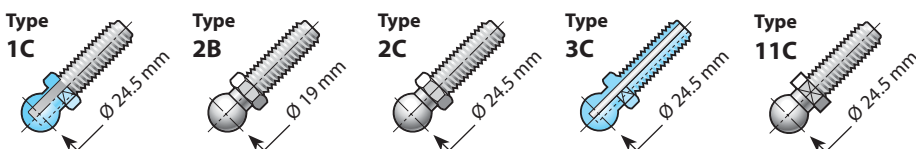
Anti-slip pad: oil resistant rubber, 70 shore hardness.

SPECIAL VERSION



● **Characteristics:**
The foot can be fixed to the floor by opening the signs marked on the base.

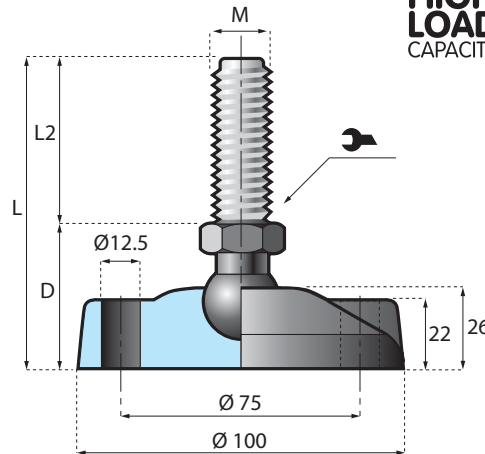


SPINDLE TYPE



● For articulated foot **Special Version** add "C" to standard part number (example "code 17573C or 17589C")

Spindle			M	D mm		L mm	L ₁ mm	L ₂ mm	Code		Code							
Material	Type								Standard Assembled	Anti-Slip Assembled	Base	Spindle						
FE.ZN	1C	12.000	M12	47	24	112	115	65	17573	17589	82452	82274						
			M14			162	165	115	17577	17593		82314						
			M16			162	165	115	17580	17596		82277						
			M20			162	165	115	17583	17599		82280						
						207	210	160	17584	17618		82281						
						164	167	110	17586	17620		82283						
	M24	54	30	164	167	110	17586	17620	82283									
	207			210	153	17587	17621	82284										
	2B			18.000	M16	39	20	99	102	60	171174	171182	821127	83977				
		154	157					115	171175	171183	83978							
		184	187					145	171176	171184	83979							
		234	237		195			171177	171185	83980								
		M20	124		127			85	171178	171186	83981							
			154		157			115	171179	171187	83982							
	184		187	145	171180	171188	83983											
	2C	18.000	M16	45	24	234	237	195	171181	171189	82452	83984						
						102	105	57	17796	17797		83252						
						160	163	115	17798	17799		83253						
						190	193	145	17800	17801		83254						
						240	243	195	17582	17598		83368						
						130	133	85	17802	17803		83255						
			M20			160	163	115	17687	17691		83161						
						190	193	145	17688	17692		83162						
						240	243	195	17585	17619		82282						
130						133	85	17804	17805	83256								
160						163	115	17806	17807	83257								
190						193	145	17808	17814	83258								
M24	240	243	195	17588	17622	83370												
	1C	12.000	M16	47	24	112	115	65	17629	17645	82452	82264						
						162	165	115	17630	17646		82265						
						207	210	160	17631	17647		82266						
						2B	18.000	M16	39	20		99	102	60	171190	171198	821127	83969
												154	157	115	171191	171199		83970
184												187	145	171192	171200	83971		
234	237	195	171193	171201	83972													
124	127	85	171194	171202	83973													
154	157	115	171195	171203	83974													
M20	184	187	145	171196	171204	83975												
	1C	18.000	M16	45	24	102	105	57	17782	17783	82452	83244						
						160	163	115	17784	17785		83245						
						190	193	145	17786	17787		83246						
						240	243	195	17632	17648		83365						
						130	133	85	17788	17789		83247						
160						163	115	17685	17689	83159								
M20	190	193	145	17686	17690	83160												
	240	243	195	17635	17651	83366												
	130	133	85	17790	17791	83249												
	160	163	115	17792	17793	83250												
	190	193	145	17794	17795	83251												
	240	243	195	17638	17654	83367												
M24	109	112	62	17669	17671	82452	82193											
	131	134	74	17683	17684		82454											
	184	187	127	17670	17672		82247											
PA.FE	3C	4.000	M20	57	30	102	105	57	17655	17662	82452	83022						
						160	163	115	17656	17663		83023						
OT.NI	11C	12.000	M16	45	20	102	105	57	17655	17662	82452	83022						
						160	163	115	17656	17663		83023						



MATERIAL INFORMATION

Spindle, nut and washer
(see table):

- INOX** Stainless Steel AISI 304
 - FE.ZN** Zinc Plated
 - OT.NI** Nickel Plated Brass
 - PA.FE** Polyamide with Steel Insert
- Base:** Reinforced polyamide.

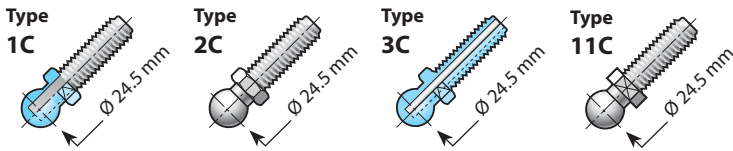
Characteristics:

The foot can be fixed to the floor.

Solid base series

The solid base is created through new technology which will help equipment builders meet the requirements of the USDA and other government agencies, related to the prevention of contamination of food products and the growth of bacteria.

SPINDLE TYPE



Spindle		Material	Type	N	M	D mm	Wrench	L mm	L ₂ mm	Code Assembled	Code								
Material	Type										Base	Spindle							
FE.ZN	1C	15.000	1C	N	M12	47	24	112	65	175098	82817	82274							
								M14	162	115		175102	82314						
								M16	162	115		175105	82277						
								M20	162	115		175107	82280						
					M24	54	30	207	160	175108		82281							
								164	110	175109		82283							
								207	153	175110		82284							
								102	57	175165		83252							
	2C	25.000	2C	M16	45	24	160	115	175166	83253									
							190	145	175167	83254									
							240	195	175168	83368									
							130	85	175169	83255									
							160	115	175170	83161									
							190	145	175171	83162									
				M20	45	24	240	195	175172	82282									
							130	85	175173	83256									
							160	115	175174	83257									
							190	145	175175	83258									
							240	195	175176	83370									
							INOX	1C	15.000	1C		N	M16	47	24	112	65	175117	82817
162	115	175118	82265																
207	160	175119	82266																
102	57	175177	83244																
160	115	175178	83245																
190	145	175179	83246																
2C	25.000	2C	M20	45	24	240		195	175180	83365									
						130		85	175181	83247									
						160		115	175182	83159									
						190		145	175183	83160									
						240		195	175184	83366									
						130		85	175185	83249									
			M24	45	24	160		115	175186	83250									
						190		145	175187	83251									
						240		195	175188	83367									
						PA.FE		3C	4.000	3C	N	M16	47	24	109	62	175124	82193	
															131	74	175125	82454	
						OT.NI		11C	18.000	11C	N	M16	45	20	184	127	175126	82247	
102	57	175158	83022																
160	115	175159	83023																



MATERIAL INFORMATION

Spindle, nut and washer (see table):
INOX Stainless Steel AISI 304
FE.ZN Zinc Plated
Base: Reinforced polyamide.

Characteristics:
 The foot can be fixed to the floor by opening the signs marked on the base.

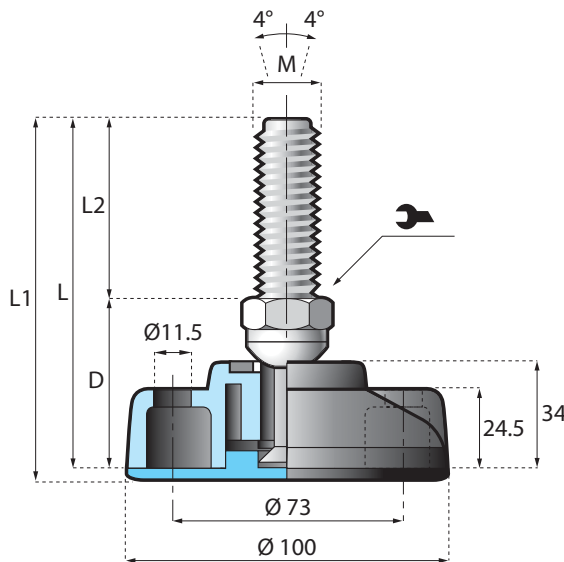
Code standard: Without rubber
Code anti-slip: With rubber

ANTI-SLIP PAD

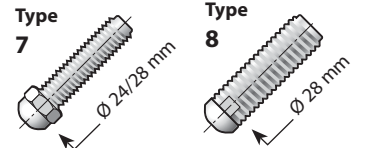


Code: 171319

Anti-slip pad: oil resistant rubber, 70 shore hardness.



SPINDLE TYPE



* This product was modified recently.

Spindle			M	D mm		L mm	L ₁ mm	L ₂ mm	Code		Code		
Material	Type								Standard Assembled	Anti-Slip Assembled	Base	Spindle	
FE.ZN	7	25.000	M16	47	20	162	166	115	170704	170712	82951	83624	
						182	186	135	170705	170713		83625	
						162	166	115	170706	170714		83175	
			182			186	135	170707	170715	83173			
			172			176	125	170708*	170716*	83182*			
			232			236	185	170709*	170717*	83183*			
	8*		M24		24	M30	172	176	125	170710*		170718*	83177*
							232	236	185	170711*		170719*	83176*
							162	166	115	170720		170728	83626
			182			186	135	170721	170729	83627			
			162			166	115	170722	170730	83174			
			182			186	135	170723	170731	83172			
INOX	7	25.000	M20	47	24	172	176	125	170724*	170732*	82951	83180*	
						232	236	185	170725*	170733*		83181*	
						172	176	125	170726*	170734*		83179*	
	172		176		125	170727*	170735*	83178*					
	232		236		185	170727*	170735*	83178*					



MATERIAL INFORMATION

Spindle, nut and washer (see table):

INOX Stainless Steel AISI 304

FE.ZN Zinc Plated

Base: Reinforced polyamide.

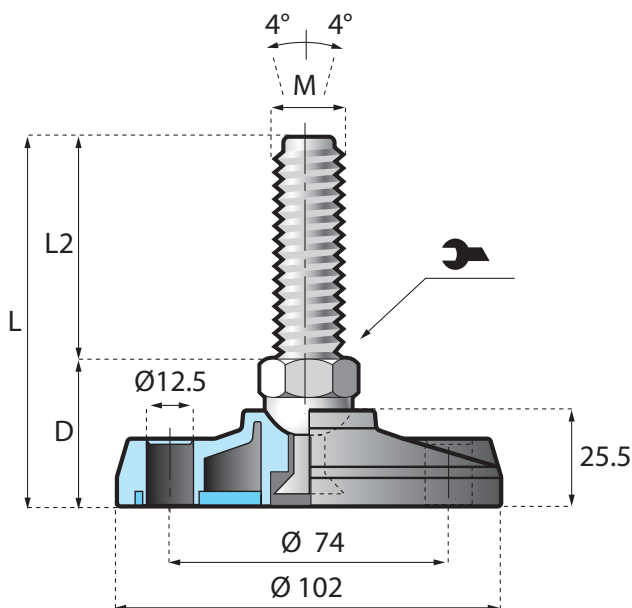
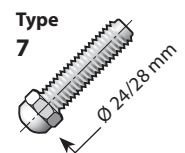
Characteristics:

The foot can be fixed to the floor by opening the signs marked on the base.

Code standard: Without rubber

Code anti-slip: With rubber

SPINDLE TYPE

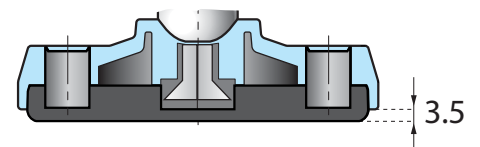


ANTI-SLIP PAD

Code: 821368



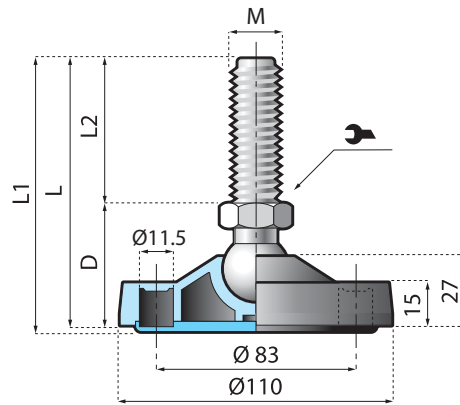
Anti-slip pad: oil resistant rubber, 70 shore hardness.



Spindle			M	D mm		L mm	L ₂ mm	Code		Code	
Material	Type							Standard Assembled	Anti-Slip Assembled	Base	Spindle
FE.ZN	7	20.000	M16	41.5	20	156.5	115	171371	171379	821367	83624
						176.5	135	171372	171380		83625
			M20		24	156.5	115	171373	171381		83175
						176.5	135	171374	171382		83173
INOX	7	20.000	M16	41.5	20	156.5	125	171375	171383	821367	83626
						176.5	185	171376	171384		83627
			M20		24	156.5	125	171377	171385		83174
						176.5	185	171378	171386		83172

ARTICULATED FOOT

D.110 with holes



MATERIAL INFORMATION

Spindle, nut and washer

(see table):

- INOX** Stainless Steel AISI 304
- FE.ZN** Zinc Plated
- OT.NI** Nickel Plated Brass
- PA.FE** Polyamide with Steel Insert

● Without Nut

Base: Reinforced polyamide.

Characteristics:

The foot can be fixed to the floor by opening the signs marked on the base.

Code standard: Without rubber

Code anti-slip: With rubber

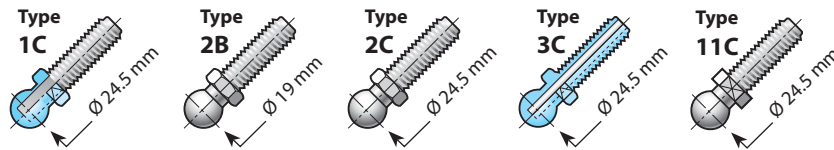
ANTI-SLIP PAD



Code: 171316

Anti-slip pad: oil resistant rubber, 70 shore hardness.

SPINDLE TYPE



Spindle		N	M	D mm	Wrench	Material nut	L mm	L ₁ mm	L ₂ mm	Code		Code	
Material	Type									Standard Assembled	Anti-Slip Assembled	Base	Spindle
FE.ZN	1C	12.000	M12	47	24	FE.ZN	112	115	65	17810	17812	82184	82274
			M14				112	115	65	17469	17473		82313
			M16				162	165	115	17470	17474		82314
			M20				207	210	160	17471	17475		82315
			M24				162	165	115	17521	17459		82277
	2B	15.000	38	20	FE.ZN	162	165	115	17846	17855	82280		82281
						M20	207	210	160	17853	17857		82282
						M16	164	167	110	17809	17859		82283
							207	210	153	17380	17388		82284
							98	101	60	171206	171214		83977
	2C	18.000	45	24	FE.ZN	153	156	115	171207	171215	83978		
						183	186	145	171208	171216	83979		
233						236	195	171209	171217	83980			
123						126	85	171210	171218	83981			
153						156	115	171211	171219	83982			
183						186	145	171212	171220	83983			
233						236	195	171213	171221	83984			
102						105	57	17752	17753	83252			
160						163	115	17754	17755	83253			
190						193	145	17756	17757	83254			
INOX	1C	12.000	M16	47	24	INOX	240	243	195	17366	17370	82184	83368
							130	133	85	17758	17759		83255
							160	163	115	17677	17681		83161
	2B	15.000	38	20	INOX	190	193	145	17678	17682	83162		
						240	243	195	17375	17378	82282		
						130	133	85	17760	17761	83256		
						160	163	115	17762	17763	83257		
						190	193	145	17764	17765	83258		
	2C	18.000	45	24	INOX	240	243	195	17382	17390	83370		
						112	115	65	17528	17456	82264		
						162	165	115	17520	17458	82265		
						207	210	160	17363	17367	82266		
PA.FE	3C	4.000	M16	47	24	INOX	98	101	60	171222	171230	82184	83969
							153	156	115	171223	171231		83970
							183	186	145	171224	171232		83971
	2C	18.000	45	24	●	233	236	195	171225	171233	83972		
						123	126	85	171226	171234	83973		
						153	156	115	171227	171235	83974		
						183	186	145	171228	171236	83975		
						102	105	57	17710	17711	83244		
						160	163	115	17712	17713	83245		
						190	193	145	17717	17718	83246		
						240	243	195	17365	17369	83365		
						130	133	85	17719	17720	83247		
OT.NI	11C	12.000	M16	45	20	INOX	160	163	115	17675	17679	83159	
							190	193	145	17676	17680	83160	
							240	243	195	17374	17377	83366	
							130	133	85	17721	17747	83249	
							160	163	115	17748	17749	83250	
							190	193	145	17750	17751	83251	
							240	243	195	17381	17389	83367	
							109	112	62	17058	17060	82193	
							109	112	62	17059	17061	82193	
131	134	74	17673	17674	82454								
184	187	127	17373	17376	82247								
82184	83022	83023											



**SOLID
BASE**

**HIGH
LOAD
CAPACITY**

MATERIAL INFORMATION

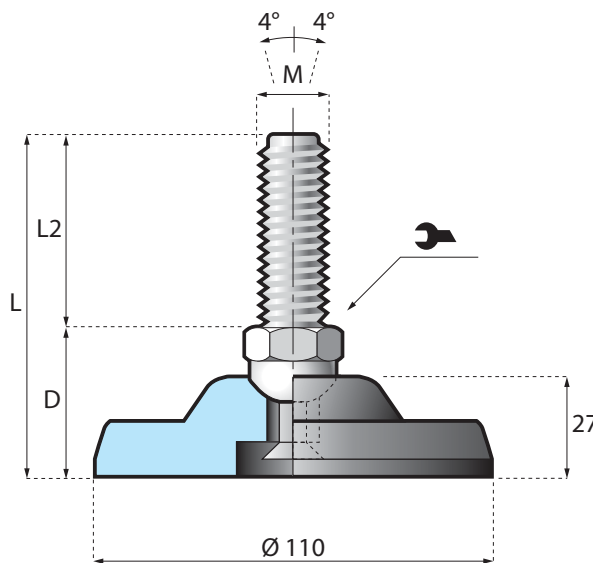
Spindle, nut and washer
(see table):
INOX Stainless Steel AISI 304
FE.ZN Zinc Plated

Base: Reinforced polyamide.

Code standard: Without rubber
Code anti-slip: With rubber

Solid base series

The solid base is created through new technology which will help equipment builders meet the requirements of the USDA and other government agencies, related to the prevention of contamination of food products and the growth of bacteria.



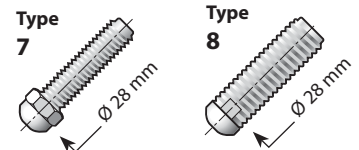
ANTI-SLIP PAD



Code: 171319

Anti-slip pad: oil resistant rubber, 70 shore hardness.

SPINDLE TYPE

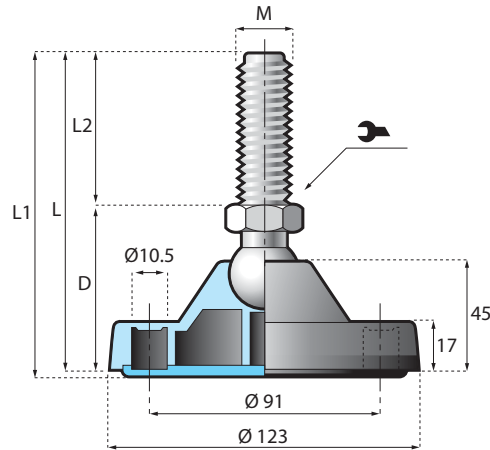


* This product was modified recently.

Spindle			M	D mm		L mm	L ₂ mm	Code Assembled	Code	
Material	Type								Base	Spindle
FE.ZN	7	32.000	M20	42	24	157	115	175189	82819	83175
						177	135	175190		83173
			8*		M24	167	125	175191*		83182*
	227					185	175192*	83183*		
	M30				167	125	175193*	83177*		
	227		185		175194*	83176*				
INOX	7	32.000	M20	42	24	157	115	175195	82819	83174
						177	135	175196		83172
			8*		M24	167	125	175197*		83180*
	227					185	175198*	83181*		
	M30				167	125	175199*	83179*		
	227		185		175200*	83178*				

ARTICULATED FOOT

D.123 with holes



MATERIAL INFORMATION

Spindle, nut and washer

(see table):

INOX	Stainless Steel AISI 304
FE.ZN	Zinc Plated
OT.NI	Nickel Plated Brass
PA.FE	Polyamide with Steel Insert

Base: Reinforced polyamide.

Characteristics:

The foot can be fixed to the floor by opening the signs marked on the base.

Code standard: Without rubber

Code anti-slip: With rubber

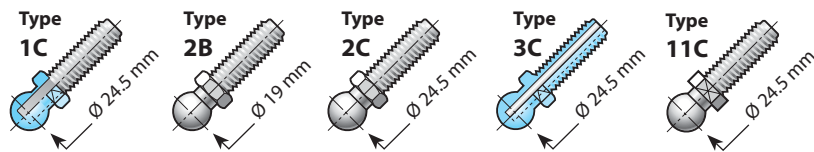


ANTI-SLIP PAD

Code: 171318

Anti-slip pad: oil resistant rubber, 70 shore hardness.

SPINDLE TYPE



Spindle		Material	Type	M	D mm	Wrench	L mm	L ₁ mm	L ₂ mm	Code		Code		
Material	Type									Standard Assembled	Anti-Slip Assembled	Base	Spindle	
FE.ZN	1C	18.000	M16	60	24	24	175	179	115	17392	17399	82185	82277	
							175	179	115	17452	17861		82280	
							220	224	160	17455	17863		82281	
							177	181	110	17210	17216		82283	
							220	224	153	17212	17218		82284	
							116	120	60	171270	171278		83977	
	2B	25.000	M16	56	20	20	171	175	115	171271	171279		83978	
							201	205	145	171272	171280		83979	
							251	255	195	171273	171281		83980	
							141	145	85	171274	171282		83981	
							171	175	115	171275	171283		83982	
							201	205	145	171276	171284		83983	
			M20	56	20	20	20	251	255	195	171277		171285	83984
								118	122	57	17696		17697	83252
								176	180	115	17698		17699	83253
								206	210	145	17700		17701	83254
								256	260	195	17397		17202	83368
								146	150	85	17702		17703	83255
	2C	25.000	M16	61	24	24	176	180	115	17509	17526		82185	83161
							206	210	145	17510	17527			83162
							256	260	195	17205	17208			82282
							146	150	85	17704	17705			83256
							176	180	115	17706	17707			83257
							206	210	145	17708	17709			83258
M20			61	24	24	24	256	260	195	17214	17220	83370		
							125	129	65	17051	17055	82264		
							175	179	115	17391	17398	82265		
							220	224	160	17393	17400	82266		
							116	120	60	171286	171294	83969		
							171	175	115	171287	171295	83970		
2B	18.000	M16	56	20	20	201	205	145	171288	171296	83971			
						251	255	195	171289	171297	83972			
						141	145	85	171290	171298	83973			
						171	175	115	171291	171299	83974			
						201	205	145	171292	171300	83975			
						251	235	195	171293	171301	83976			
		M20	56	20	20	20	118	122	57	17042	17043	83244		
							176	180	115	17044	17045	83245		
							206	210	145	17046	17047	83246		
							256	260	195	17396	17201	83365		
							146	150	85	17048	17049	83247		
							176	180	115	17507	17512	83159		
2C	25.000	M16	61	24	24	206	210	145	17508	17513	82185	83160		
						256	260	195	17204	17207		83366		
						146	150	85	17394	17453		83249		
						176	180	115	17693	17694		83250		
						206	210	145	17850	17695		83251		
						256	260	195	17213	17219		83367		
		M20	61	24	24	24	122	126	62	170209		170210	82193	
							144	148	74	17506		17511	82454	
							197	201	127	17203		17206	82247	
							118	122	57	17052		17056	83022	
							176	180	115	17053		17057	83023	
							176	180	115	17053		17057	83023	
PA.FE	3C	4.000	M16	60	24	122	126	62	170209	170210	82185	82193		
			M20	70	30	144	148	74	17506	17511		82454		
OT.NI	11C	20.000	M16	61	20	118	122	57	17052	17056	82185	83022		
						176	180	115	17053	17057		83023		



MATERIAL INFORMATION

Spindle, nut and washer
(see table):

INOX Stainless Steel AISI 304

FE.ZN Zinc Plated

Base: Reinforced polyamide.

Code standard: Without rubber

Code anti-slip: With rubber

Characteristics:

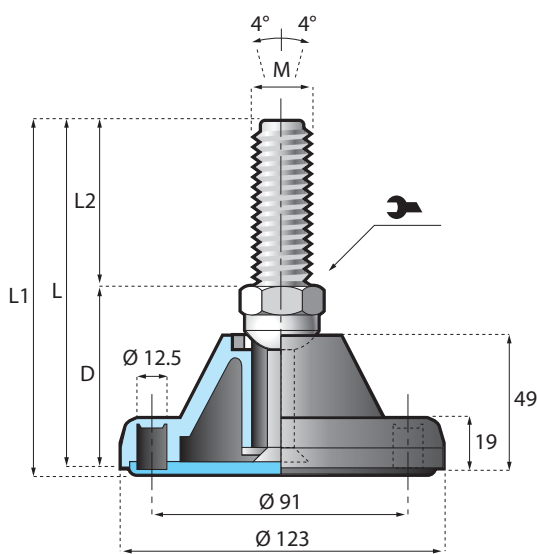
The foot can be fixed to the floor by opening the signs marked on the base.

ANTI-SLIP PAD



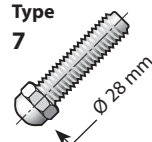
Code: 171318

Anti-slip pad: oil resistant rubber, 70 shore hardness.

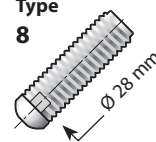


SPINDLE TYPE

Type 7



Type 8



* This product was modified recently.

Spindle			M	D mm		L mm	L ₁ mm	L ₂ mm	Code		Code	
Material	Type								Standard Assembled	Anti-Slip Assembled	Base	Spindle
FE.ZN	7	30.000	M20	68	24	183	187	115	17018	17024	82186	83175
						203	207	135	17019	17025		83173
						193	197	125	17020 *	17026 *		83182*
	8*		M24		19	253	257	185	17021 *	17027*		83183*
						193	197	125	17022 *	17028*		83177*
						253	257	185	17023 *	17029*		83176*
INOX	7	30.000	M20	68	24	183	187	115	17030	17036	82186	83174
						203	207	135	17031	17037		83172
						193	197	125	17032*	17038*		83180*
	8*		M24		19	253	257	185	17033*	17039*		83181*
						193	197	125	17034*	17040*		83179*
						253	257	185	17035*	17041*		83178*



MATERIAL INFORMATION

Spindle, nut and washer (see table):
INOX Stainless Steel AISI 304
FE.ZN Zinc Plated

Base: Reinforced polyamide.

Characteristics:
 The foot can be fixed to the floor.

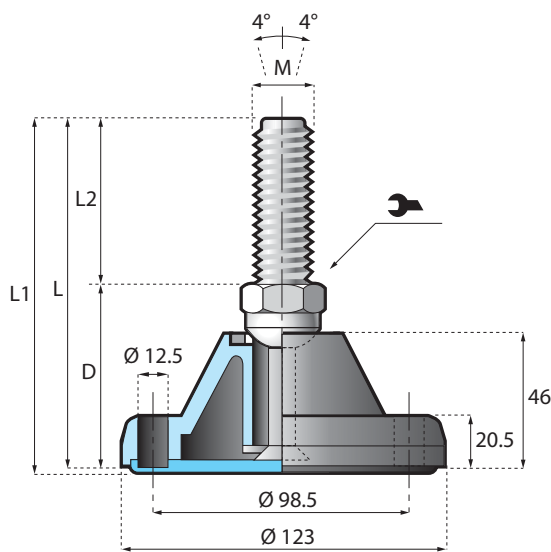
Code standard: Without rubber
Code anti-slip: With rubber

ANTI-SLIP PAD

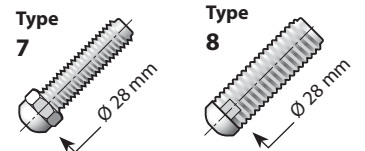


Code: 171318

Anti-slip pad: oil resistant rubber, 70 shore hardness.

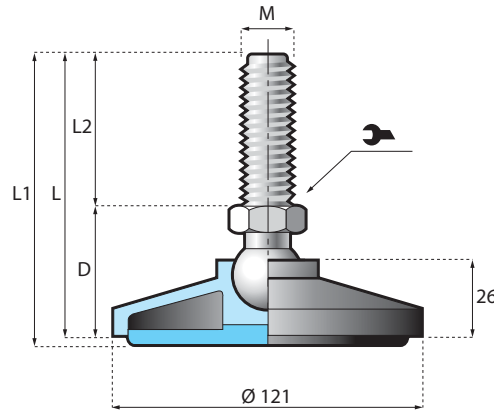


SPINDLE TYPE



* This product was modified recently.

Spindle		N	M	D mm	Wrench	L mm	L ₁ mm	L ₂ mm	Code		Code	
Material	Type								Standard Assembled	Anti-Slip Assembled	Base	Spindle
FE.ZN	7	30.000	M20	64	24	179	183	115	170435	170439	82375	83175
						199	203	135	170436	170440		83173
						189	193	125	170437*	170441*		83182*
	8*		M24		249	253	185	170438*	170442*	83183*		
					189	193	125	17880*	17884*	83177*		
					249	253	185	17881*	17885*	83176*		
INOX	7	30.000	M20	64	24	179	183	115	170443	170447	82375	83174
						199	203	135	170444	170448		83172
						189	193	125	170445*	170449*		83180*
	8*		M24		249	253	185	170446*	170450*	83181*		
					189	193	125	17882*	17886*	83179*		
					249	253	185	17883*	17887*	83178*		



MATERIAL INFORMATION

Spindle, nut and washer
(see table):

- INOX** Stainless Steel AISI 304
 - FE.ZN** Zinc Plated
 - OT.NI** Nickel Plated Brass
 - PA.FE** Polyamide with Steel Insert
- Base:** Reinforced polyamide.

Code standard: Without rubber
Code anti-slip: With rubber

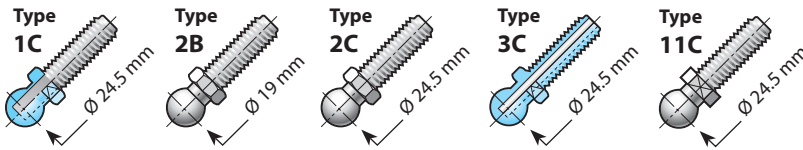
ANTI-SLIP PAD



Code: 171317

Anti-slip pad: oil resistant rubber, 70 shore hardness.

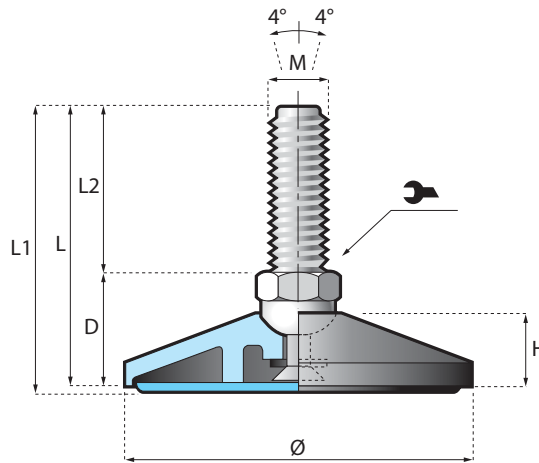
SPINDLE TYPE



Spindle		N	M	D mm	Wrench	L mm	L ₁ mm	L ₂ mm	Code		Code								
Material	Type								Standard Assembled	Anti-Slip Assembled	Base	Spindle							
FE.ZN	1C	12.000	M12	40	24	105	108	65	170081	170092	82706	82274							
			M14			155	158	115	170085	170096		82314							
			M16			155	158	115	170088	170099		82277							
			M20			200	203	160	170091	170102		82280							
			M24			157	160	110	170427	170429		82283							
			M24			200	203	153	170428	170430		82284							
	2B	20.000	M16	37	20	97	100	60	171238	171246	821129	83977							
						152	155	115	171239	171247		83978							
						182	185	145	171240	171248		83979							
						232	235	195	171241	171249		83980							
						122	125	85	171242	171250		83981							
						152	155	115	171243	171251		83982							
						182	185	145	171244	171252		83983							
						232	235	195	171245	171253		83984							
	2C	20.000	M16	41	24	98	101	57	170131	170143	82706	83252							
						156	159	115	170132	170144		83253							
						186	189	145	170133	170145		83254							
						236	239	195	170134	170146		83368							
						126	129	85	170135	170147		83255							
						156	159	115	170136	170148		83161							
						186	189	145	170137	170149		83162							
						236	239	195	170138	170150		82282							
						126	129	85	170139	170151		83256							
						156	159	115	170140	170152		83257							
186						189	145	170141	170153	83258									
236						239	195	170142	170154	83370									
INOX						1C	12.000	M16	40	24		105	108	65	170109	170120	82706	82264	
												155	158	115	170110	170121		82265	
	200	203	160	170111	170122						82266								
	97	100	60	171254	171262						83969								
	152	155	115	171255	171263						83970								
	182	185	145	171256	171264						83971								
	2B	20.000	M16	37	20	232	235	195	171257	171265	821129	83972							
						122	125	85	171258	171266		83973							
						152	155	115	171259	171267		83974							
						182	185	145	171260	171268		83975							
						98	101	57	170155	170167		83244							
						156	159	115	170156	170168		83245							
						186	189	145	170157	170169		83246							
						236	239	195	170158	170170		83365							
	2C	20.000	M16	41	24	126	129	85	170159	170171	82706	83247							
						156	159	115	170160	170172		83159							
						186	189	145	170161	170173		83160							
						236	239	195	170162	170174		83366							
						126	129	85	170163	170175		83249							
						156	159	115	170164	170176		83250							
						186	189	145	170165	170177		83251							
						236	239	195	170166	170178		83367							
						PA.FE	3C	4.000	M16	40		24	102	105	62	170125	170128	82706	82193
									M20	50		30	124	127	74	170127	170130		82454
M20									177	180		127	170126	170129	82247				
OT.NI						11C	15.000	M16	41	20		98	101	57	170387	170394	82706	83022	
												156	159	115	170388	170395		83023	

ARTICULATED FOOT

D.80 - D.100 - D.150 - D.180 - D.200



MATERIAL INFORMATION

Spindle, nut and washer
(see table):

INOX Stainless Steel AISI 304

FE.ZN Zinc Plated

Base: Reinforced polyamide.

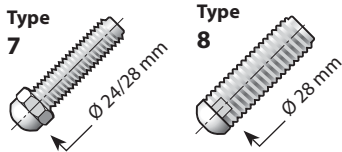
Code standard: Without rubber

Code anti-slip: With rubber

ANTI-SLIP PAD



SPINDLE TYPE

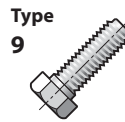


Code:
171312 for foot **D.80**
171314 for foot **D.100**
171320 for foot **D.150**
171321 for foot **D.180**
171322 for foot **D.200**
Anti-slip pad: oil resistant rubber,
 70 shore hardness.

Ø mm	H mm	D mm		Spindle		M		L mm	L ₁ mm	L ₂ mm	Code		Code							
				Material	Type						Standard Assembled	Anti-Slip Assembled	Base	Spindle						
80	21	38	16.000	FE.ZN	7	M16	20	153	157	115	170688	170692	17014	83624						
						M20	24	173	177	135	170689	170693		83625						
						M24	19	153	157	115	170001	170009		83175						
					8*	M24	19	173	177	135	170002	170010		83173						
						M24	19	163	167	125	170003*	170011*		83182*						
						M24	19	223	227	185	170004*	170012*		83183*						
				INOX	7	M16	20	153	157	115	170690	170694		83626						
						M20	24	223	227	185	170691	170695		83627						
						M20	24	153	157	115	170005	170013		83174						
					8*	M20	24	173	177	135	170006	170014		83172						
						M24	19	163	167	125	170007*	170015*		83180*						
						M24	19	223	227	185	170008*	170016*		83181*						
100	23	40	18.000	FE.ZN	7	M16	20	155	159	115	170696	170700	17015	83624						
						M20	24	175	179	135	170697	170701		83625						
						M24	19	155	159	115	170021	170033		83175						
					8*	M24	19	175	179	135	170022	170034		83173						
						M30	24	165	169	125	170023*	170035*		83182*						
						M30	24	225	229	185	170024*	170036*		83183*						
				INOX	7	M16	20	165	169	125	170025*	170037*		83177*						
						M20	24	225	229	185	170026*	170038*		83176*						
						M24	19	165	159	115	170698	170702		83626						
					8*	M24	19	175	179	135	170699	170703		83627						
						M24	19	165	159	115	170027	170039		83174						
						M30	24	175	179	135	170028	170040		83172						
				150	28	48	30.000	FE.ZN	8*	M24	19	173		179	125	17952*	17960*	17016T for code standard	83182*	
										M30	24	233		239	185	17953*	17961*		83183*	
										M30	24	173		179	125	17954*	17962*		83177*	
									INOX	8*	M24	19		233	239	185	17955*		17963*	83176*
											M24	19		173	179	125	17956*		17964*	83180*
											M30	24		233	239	185	17957*		17965*	83181*
180	35	55	35.000					FE.ZN	8*	M24	19	173	179	125	17958*	17966*	17016L for code anti-slip		83179*	
										M30	24	233	239	185	17959*	17967*			83178*	
										M24	19	180	189	125	17968*	17976*			83182*	
									INOX	8*	M24	19	240	249	185	17969*			17977*	83183*
											M30	24	180	189	125	17970*			17978*	83177*
											M24	19	240	249	185	17971*			17979*	83176*
				200	40	60	50.000	FE.ZN	8*	M24	19	180	189	125	17972*	17980*		17017T for code standard	83180*	
										M30	24	240	249	185	17973*	17981*			83181*	
										M30	24	180	189	125	17974*	17982*			83179*	
									INOX	8*	M24	19	240	249	185	17975*			17983*	83178*
											M24	19	185	196	125	17984*			17992*	83182*
											M30	24	245	246	185	17985*			17993*	83183*
INOX	8*	M30	24					185	196	125	17986*	17994*	83177*							
		M30	24					245	246	185	17987*	17995*	83176*							
		M24	19					185	196	125	17988*	17996*	83180*							
	8*	M24	19					245	246	185	17989*	17997*	83181*							
		M30	24					185	196	125	17990*	17998*	83179*							
		M30	24					245	246	185	17991*	17999*	83178*							



SPINDLE TYPE



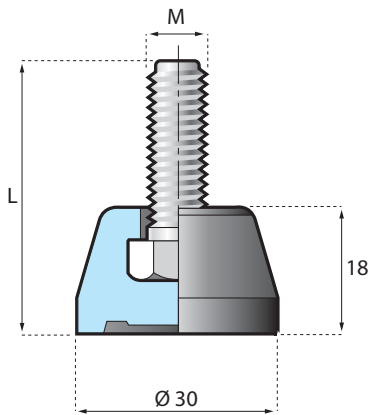
MATERIAL INFORMATION

Spindle, nut and washer
(see table):
INOX Stainless Steel AISI 304
FE.ZN Zinc Plated

Base: Reinforced polyamide.

**SOLID
BASE**

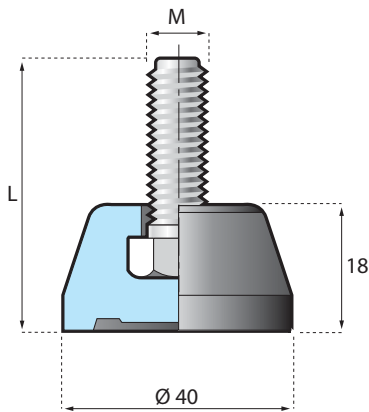
D.30



Preferred types, readily available (codes marked in red)

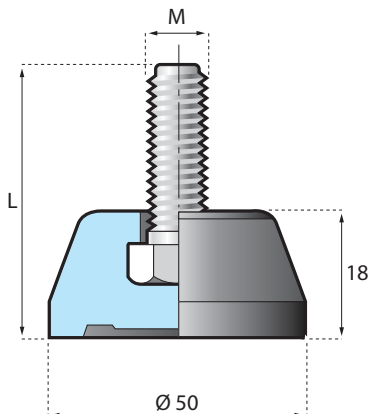
Spindle			M	L mm	Code Standard
Material	Type				
FE.ZN	9	5.000	M8	55	170045
				75	170046
			M10	55	170047
				75	170048
INOX	9	5.000	M8	55	170049
				75	170050
			M10	55	170051
				75	170052

D.40



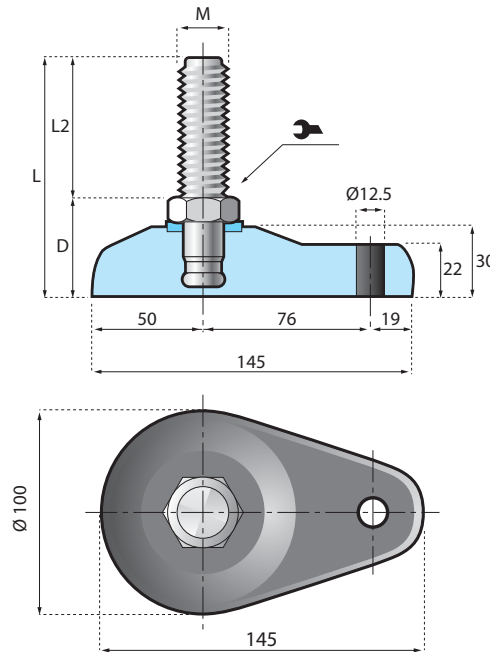
Spindle			M	L mm	Code Standard
Material	Type				
FE.ZN	9	7.000	M8	55	170053
				75	170054
			M10	55	170055
				75	170056
			M12	55	170057
				75	170058
INOX	9	7.000	M8	55	170059
				75	170060
			M10	55	170061
				75	170062
			M12	55	170063
				75	170064

D.50



Spindle			M	L mm	Code Standard
Material	Type				
FE.ZN	9	9.000	M8	55	170065
				75	170066
			M10	55	170067
				75	170068
			M12	55	170069
				75	170070
INOX	9	9.000	M8	55	170071
				75	170072
			M10	55	170073
				75	170074
			M12	55	170075
				75	170076

SOLID BASE



MATERIAL INFORMATION

Spindle, nut and washer (see table):

INOX Stainless Steel AISI 304
FE.ZN Zinc Plated

Base: Reinforced polyamide.

Code standard: Without rubber

Solid base series

The solid base is created through new technology which will help equipment builders meet the requirements of the USDA and other government agencies, related to the prevention of contamination of food products and the growth of bacteria.



SPINDLE TYPE



Spindle			M	D mm		L mm	L ₂ mm	Code Assembled	Code	
Material	Type								Base	Spindle
FE.ZN	13	55.000	M20	41	22	138	97	175201	82820	83559
						188	147	175202		83560
						238	197	175203		83561
			M24		24	188	147	175205		83566
						238	197	175206		83567
						138	97	175210		83562
INOX	13	55.000	M20	41	22	188	147	175211	82820	83563
						238	197	175212		83564
						24	138	97		175213
			M30		30	238	197	175218		83576



MATERIAL INFORMATION

Spindle, nut and washer (see table):

INOX Stainless Steel AISI 304
FE.ZN Zinc Plated

Base: Reinforced polyamide.

Code standard: Without rubber
Code anti-slip: With rubber

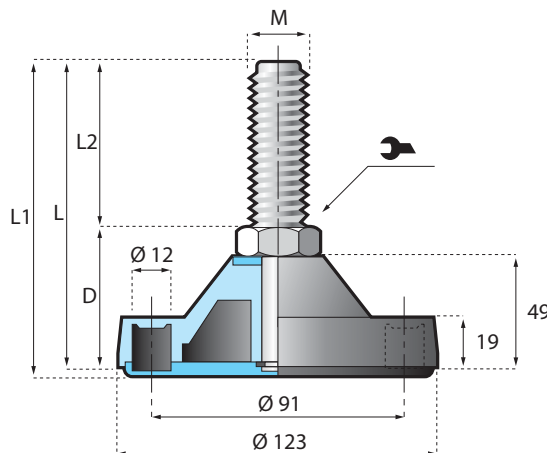
Characteristics:
 The foot can be fixed to the floor by opening the signs marked on the base.

ANTI-SLIP PAD

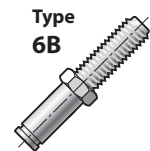


Code: 171318

Anti-slip pad: oil resistant rubber, 70 shore hardness.



SPINDLE TYPE



Spindle			M	D mm		L mm	L ₁ mm	L ₂ mm	Code		Code			
Material	Type								Standard Assembled	Anti-Slip Assembled	Base	Spindle		
FE.ZN	6B	30.000	M16	58	22	156	160	98	170451	170454	82186	83614		
						206	210	148	170452	170455		83428		
						156	160	98	17871	17224		82338		
						212	216	154	17865	17226		82339F		
						256	260	198	17222	17228		82340		
						156	160	98	17230	17236		82341		
			M20		24	206	210	148	17232	17238		82342		
						256	260	198	17234	17240		82343		
						M24	30	156	160	98		17242	17248	82344
								206	210	148		17244	17250	82345
								256	260	198		17246	17252	82346
								M30	22	156		160	98	17870
206	210	148	17864	17225	82330									
256	260	198	17221	17227	82331									
M24	24	206	210	148	17231	17237	82333							
		256	260	198	17233	17239	82334							



MATERIAL INFORMATION

Spindle, nut and washer
(see table):

INOX Stainless Steel AISI 304
FE.ZN Zinc Plated

Characteristics:

The foot can be fixed to the floor.

Base: Reinforced polyamide.

Code standard: Without rubber

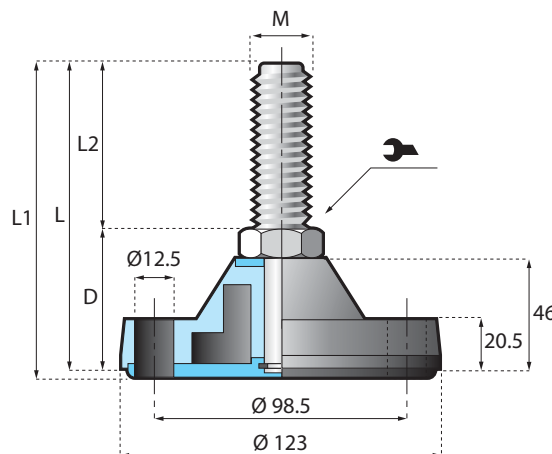
Code anti-slip: With rubber

ANTI-SLIP PAD

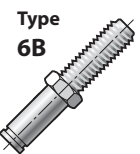


Code: 171318

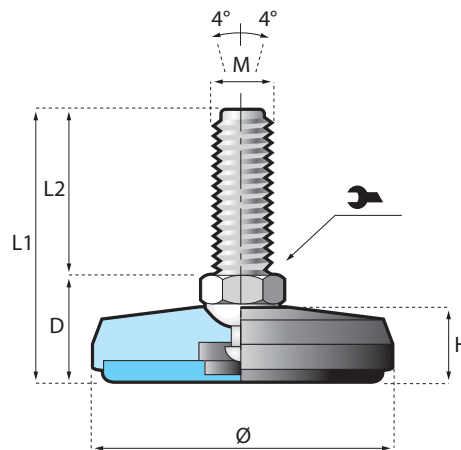
Anti-slip pad: oil resistant rubber, 70 shore hardness.



SPINDLE TYPE



Spindle			M	D mm		L mm	L ₁ mm	L ₂ mm	Code		Code			
Material	Type								Standard Assembled	Anti-Slip Assembled	Base	Spindle		
FE.ZN	6B	35.000	M16	55	22	153	157	98	170463	170466	82375	83614		
						203	207	148	170464	170467		83428		
						153	157	98	17600	17933		82338		
						209	213	154	17601	17934		82339F		
						253	257	198	17602	17935		82340		
						153	157	98	17603	17936		82341		
			M20		24	203	207	148	17604	17938		82342		
						253	257	198	17605	17939		82343		
						M24	30	153	157	98		17606	17940	82344
								203	207	148		17607	17941	82345
								253	257	198		17608	17942	82346
								153	157	98		17609	17943	82329
INOX	6B	35.000	M20	55	22	203	207	148	17610	17944	82375	82330		
						253	257	198	17611	17945		82331		
						203	207	148	17613	17947		82333		
			M24		24	203	207	148	17613	17947		82333		
						253	257	198	17614	17948		82334		
						253	257	198	17614	17948		82334		



MATERIAL INFORMATION

Base, spindle, nut and washer (see table):

- INOX Stainless Steel AISI 304
- FE.ZN Zinc Plated
- FE.VN Painted Steel

Code standard: With rubber
 Colour of the painted version: Yellow.

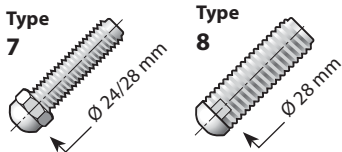
ANTI-SLIP PAD



- Code:
- 171312 for foot **D.80**
 - 171314 for foot **D.100**
 - 171316 for foot **D.120**

Anti-slip pad: oil resistant rubber, 70 shore hardness.

SPINDLE TYPE

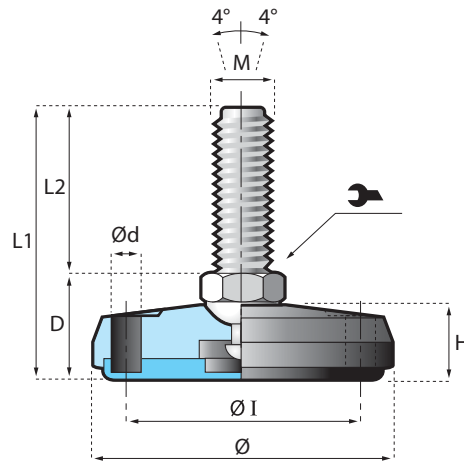


* This product was modified recently.

Ø mm	H mm	D mm		Base material	Spindle		M		L ₁ mm	L ₂ mm	Code Assembled	Code		
					Material	Type						Spindle	Base	
80	24	39	50.000	FE.VN	FE.ZN	7	M16	20	154	115	170580	83624	83377	
							M20	24	174	135	170581	83625		
							M24	19	154	115	170220	83175		
						M30	24	174	135	170242	83173			
						M24	19	164	125	170221*	83182*			
						M30	24	224	185	170243*	83183*			
				INOX	INOX	7	M16	20	154	115	170582	83626		83386
							M20	24	174	135	170583	83627		
							M24	19	154	115	170229	83174		
						M30	24	174	135	170251	83172			
						M24	19	164	125	170230*	83180*			
						M30	24	224	185	170252*	83181*			
100	24	39	50.000	FE.VN	FE.ZN	7	M16	20	154	115	170584	83624	83378	
							M20	24	174	135	170585	83625		
							M24	19	154	115	170223	83175		
						M30	24	174	135	170245	83173			
						M24	19	164	125	170224*	83182*			
						M30	24	224	185	170246*	83183*			
				INOX	INOX	7	M16	20	154	115	170586	83626		83387
							M20	24	174	135	170587	83627		
							M24	19	154	115	170232	83174		
						M30	24	174	135	170254	83172			
						M24	19	164	125	170233*	83180*			
						M30	24	224	185	170255*	83181*			
120	28	43	50.000	FE.VN	FE.ZN	7	M16	20	158	115	170588	83624	83379	
							M20	24	178	135	170589	83625		
							M24	19	158	115	170226	83175		
						M30	24	178	135	170248	83173			
						M24	19	168	125	170227*	83182*			
						M30	24	228	185	170249*	83183*			
				INOX	INOX	7	M16	20	168	125	170228*	83177*		83388
							M20	24	168	125	170250*	83176*		
							M24	19	158	115	170590	83626		
						M30	24	178	135	170591	83627			
						M24	19	158	115	170235	83174			
						M30	24	178	135	170257	83172			
INOX	INOX	8*	M24	19	168	125	170236*	83180*	83388					
			M30	24	228	185	170258*	83181*						
			M30	24	168	125	170237*	83179*						
		M30	24	228	185	170259*	83178*							

ARTICULATED FOOT

D.80 - D.100 - D.120 with holes



MATERIAL INFORMATION

Base, spindle, nut and washer (see table):

INOX Stainless Steel AISI 304

FE.ZN Zinc Plated

FE.VN Painted Steel

Code standard: With rubber

Colour of the painted version:

Yellow.

Characteristics:

The foot can be fixed to the floor.

ANTI-SLIP PAD



Code:

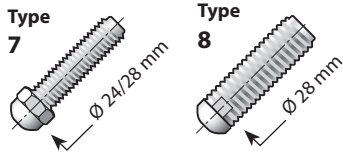
171312 for foot **D.80**

171314 for foot **D.100**

171316 for foot **D.120**

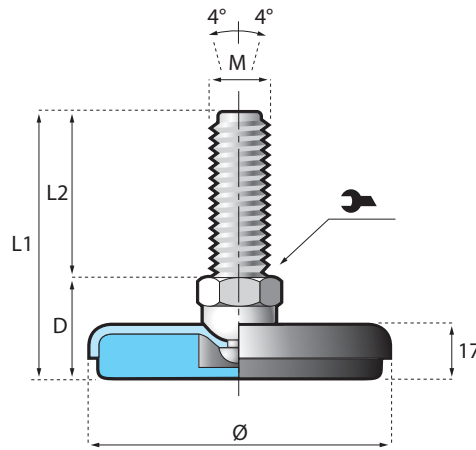
Anti-slip pad: oil resistant rubber, 70 shore hardness.

SPINDLE TYPE



* This product was modified recently.

Ø mm	Ø I mm	Ø d mm	H mm	D mm		Base material	Spindle		M		L ₁ mm	L ₂ mm	Code Assembled	Code	
							Material	Type						Spindle	Base
80	54	9	22	37	50.000	FE.VN	FE.ZN	7	M16	20	152	115	170530	83624	83785
									M20	24	172	135	170531	83625	
									M24	19	152	115	170532	83175	
								M20	24	172	135	170533	83173		
								M24	19	162	125	170534*	83182*		
								M30	24	222	185	170535*	83183*		
						INOX	INOX	7	M16	20	152	115	170538	83177*	
									M20	24	172	135	170539	83176*	
									M24	19	162	125	170536*	83626	
								M24	19	222	185	170537*	83627		
								M30	24	152	115	170540	83174		
								M30	24	172	135	170541	83172		
100	73.5	12	24	39	50.000	FE.VN	FE.ZN	7	M16	20	154	115	170546	83624	83786
									M20	24	174	135	170547	83625	
									M24	19	154	115	170548	83175	
								M24	19	164	125	170549	83173		
								M30	24	224	185	170550*	83182*		
								M30	24	224	185	170551*	83183*		
						INOX	INOX	7	M16	20	154	115	170552*	83177*	
									M20	24	154	115	170554	83176*	
									M24	19	174	135	170555	83626	
								M24	19	174	135	170556	83627		
								M30	24	154	115	170557	83174		
								M30	24	164	125	170558*	83172		
120	84	14	24	39	50.000	FE.VN	FE.ZN	7	M16	20	164	125	170559*	83180*	83787
									M20	24	224	185	170560*	83181*	
									M24	19	164	125	170561*	83179*	
								M24	19	224	185	170562	83178*		
								M30	24	154	115	170563	83624		
								M30	24	174	135	170564	83625		
						INOX	INOX	7	M16	20	154	115	170565	83175	
									M20	24	174	135	170566*	83173	
									M24	19	164	125	170567*	83182*	
								M24	19	224	185	170568*	83183*		
								M30	24	164	125	170569*	83177*		
								M30	24	224	185	170570*	83176*		
INOX	INOX	7	M16	20	154	115	170571	83626							
			M20	24	174	135	170572	83627							
			M24	19	154	115	170573	83174							
		M24	19	164	125	170574*	83172								
		M30	24	224	185	170575*	83180*								
		M30	24	164	125	170576*	83181*								
INOX	INOX	7	M16	20	164	125	170577*	83179*							
			M20	24	224	185	170578*	83178*							
			M24	19	154	115	170579*	83624							
		M24	19	174	135	170580*	83625								
		M30	24	154	115	170581*	83175								
		M30	24	174	135	170582*	83173								



MATERIAL INFORMATION

Base, spindle, nut and washer (see table):
INOX Stainless Steel AISI 304
FE.ZN Zinc Plated
Code standard: With rubber

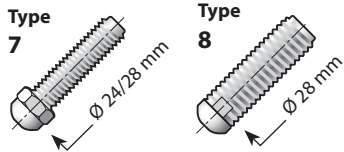
ANTI-SLIP PAD



Code:
171323 for foot **D.80**
171324 for foot **D.100**
171325 for foot **D.125**

Anti-slip pad: oil resistant rubber, 70 shore hardness.

SPINDLE TYPE

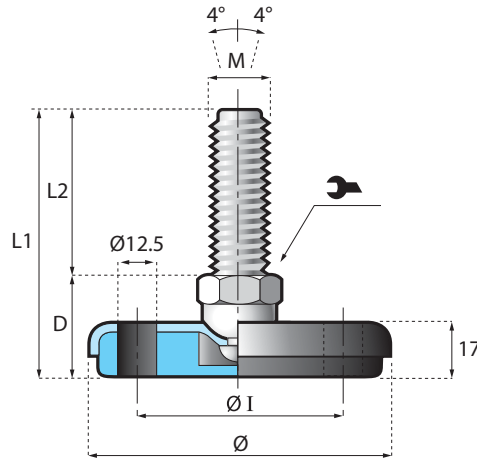


* This product was modified recently.

Ø mm	D mm	N	Base material	Spindle		M	Wrench	L ₁ mm	L ₂ mm	Code Assembled	Code			
				Material	Type						Spindle	Base		
80	32	18.000	FE.ZN	FE.ZN	7	M16	20	147	115	170480	83628	83624		
						M20	24	167	135	170481		83625		
						M24	19	147	115	170482		83175		
					M30	24	167	135	170483	83173				
					M24	19	157	125	170484*	83182*				
					M30	24	217	185	170485*	83183*				
			INOX	INOX	7	M16	20	147	115	170475		83177*	83577	83176*
						M20	24	167	135	170476		83626		
						M24	19	147	115	170401		83627		
					M30	24	167	135	170402	83174				
					M24	19	157	125	170403*	83172				
					M30	24	217	185	170404*	83180*				
100	32	22.000	FE.ZN	FE.ZN	7	M16	20	147	115	170488	83629	83624		
						M20	24	167	135	170489		83625		
						M24	19	147	115	170490		83175		
					M30	24	167	135	170491	83173				
					M24	19	157	125	170492*	83182*				
					M30	24	217	185	170493*	83183*				
			INOX	INOX	7	M16	20	147	115	170504		83177*	83578	83176*
						M20	24	167	135	170504		83626		
						M24	19	147	115	170407		83627		
					M30	24	167	135	170408	83174				
					M24	19	157	125	170409*	83172				
					M30	24	217	185	170410*	83180*				
125	32	26.000	FE.ZN	FE.ZN	7	M16	20	147	115	170496	83630	83624		
						M20	24	167	135	170497		83625		
						M24	19	147	115	170498		83175		
					M30	24	167	135	170499	83173				
					M24	19	157	125	170500*	83182*				
					M30	24	217	185	170501*	83183*				
			INOX	INOX	7	M16	20	147	115	170502*		83177*	83579	83176*
						M20	24	167	135	170503*		83626		
						M24	19	147	115	170478		83627		
					M30	24	167	135	170479	83174				
					M24	19	157	125	170413	83172				
					M30	24	217	185	170414	83180*				
INOX	INOX	8*	M24	19	157	125	170415*	83181*	83579	83181*				
			M30	24	157	125	170416*	83179*						
			M30	24	217	185	170417*	83179*						
		M30	24	217	185	170418*	83178*							
		M30	24	217	185	170418*	83178*							
		M30	24	217	185	170418*	83178*							

ARTICULATED FOOT

D.80 - D.100 - D.125 with holes



MATERIAL INFORMATION

Base, spindle, nut and washer (see table):
INOX Stainless Steel AISI 304
FE.ZN Zinc Plated
Code standard: With rubber

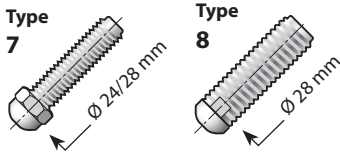
ANTI-SLIP PAD



Code:
171323 for foot **D.80**
171324 for foot **D.100**
171325 for foot **D.125**

Anti-slip pad: oil resistant rubber, 70 shore hardness.

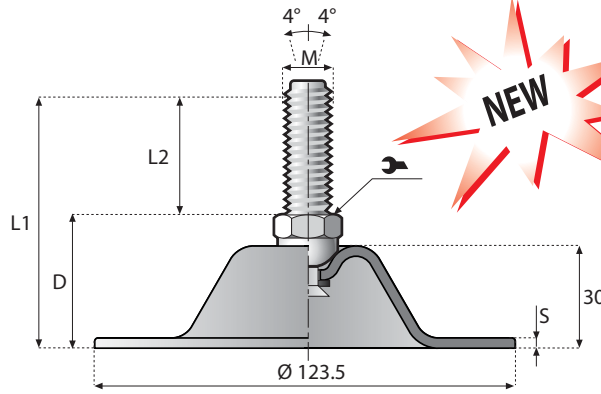
SPINDLE TYPE



* This product was modified recently.

Ø mm	Ø I mm	D mm		Base material	Spindle		M		L ₁ mm	L ₂ mm	Code Assembled	Code				
					Material	Type						Spindle	Base			
80	50	32	18.000	FE.ZN	FE.ZN	7	M16	20	147	115	170592	83624	83711			
							M20	24	167	135	170593	83625				
							M24	19	147	115	170594	83175				
						M20	24	167	135	170595	83173					
						M24	19	157	125	170596*	83182*					
						M30	24	217	185	170597*	83183*					
				INOX	INOX	7	M16	20	147	115	170598*	83177*				
							M20	24	157	125	170598*	83176*				
							M24	19	217	185	170599*	83176*				
						8*	M16	20	147	115	170600	83626		83708		
							M20	24	167	135	170601	83627				
							M24	19	147	115	170602	83174				
8*	M24	19	157	125	170603	83172										
	M30	24	157	125	170604*	83180*										
	M30	24	217	185	170605*	83181*										
100	70	32	22.000	FE.ZN	FE.ZN	7	M16	20	147	115	170606*	83179*	83712			
							M20	24	157	125	170606*	83178*				
							M24	19	217	185	170607*	83178*				
						8*	M24	19	147	115	170608	83624			83712	
							M30	24	167	135	170609	83625				
							M30	24	147	115	170610	83175				
				INOX	INOX	7	M16	20	167	135	170611	83173		83709		
							M20	24	157	125	170612*	83182*				
							M24	19	217	185	170613*	83183*				
						8*	M24	19	157	125	170614*	83177*				
							M30	24	217	185	170615*	83176*				
							M30	24	147	115	170616	83626				
125	85	32	26.000	FE.ZN	FE.ZN	7	M16	20	167	135	170617	83627	83713			
							M20	24	147	115	170618	83174				
							M24	19	167	135	170619	83172				
						8*	M24	19	157	125	170620*	83180*			83710	
							M30	24	217	185	170621*	83181*				
							M30	24	157	125	170622*	83179*				
				INOX	INOX	7	M16	20	217	185	170623*	83178*		83710		
							M20	24	147	115	170624	83626				
							M24	19	167	135	170625	83627				
						8*	M24	19	147	115	170626	83174				83710
							M30	24	157	125	170627	83172				
							M30	24	157	125	170628*	83180*				
8*	M30	24	217	185	170629*	83181*										
	M30	24	157	125	170630*	83177*										
	M30	24	217	185	170631*	83176*										
INOX	INOX	7	M16	20	147	115	170632	83626	83710							
			M20	24	167	135	170633	83627								
			M24	19	147	115	170634	83174								
		8*	M24	19	157	125	170635	83172		83710						
			M30	24	157	125	170636*	83180*								
			M30	24	217	185	170637*	83181*								
8*	M30	24	157	125	170638*	83179*	83710									
	M30	24	217	185	170639*	83178*										
	M30	24	217	185	170639*	83178*										

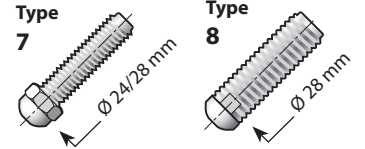
VERSION WITHOUT HOLES



MATERIAL INFORMATION

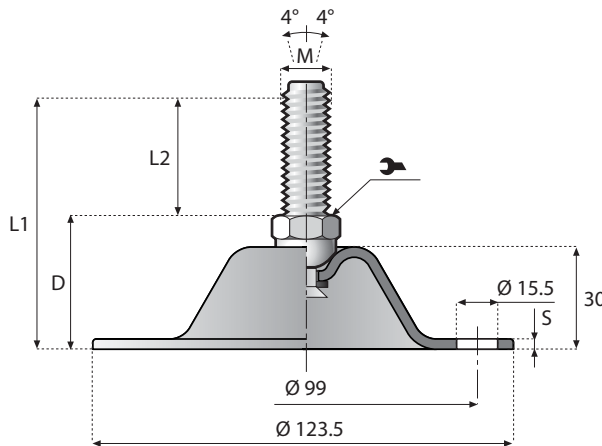
Base, spindle, and washer (see table):
INOX Stainless Steel Aisi 304
FE.ZN Zinc Plated

SPINDLE TYPE



Base material	Spindle		S mm		D mm	M		L ₁ mm	L ₂ mm	Code Assembled	Code	
	Material	Type									Spindle	Base
FE.ZN	7	FE.ZN	4	10.000	40	M16	20	155	115	175239	831870	83624
						M20	24	175	135	175240		83625
						M24	19	160	115	175241		83175
						M30	24	180	135	175242		83173
	8				M24	19	170	125	175243	83182		
					M24	19	230	185	175244	83183		
					M24	19	170	125	175245	83177		
					M30	24	230	185	175246	83176		
INOX	7	INOX	3	6.000	40	M16	20	155	115	175247	831868	83626
						M20	24	175	135	175248		83627
						M24	19	160	115	175249		83174
						M24	19	180	135	175250		83172
	8				M24	19	170	125	175251	83180		
					M24	19	230	185	175252	83181		
					M24	19	170	125	175253	83179		
					M30	24	230	185	175254	83178		

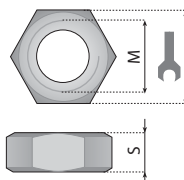
VERSION WITH 2 HOLES



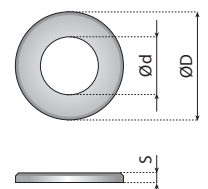
Base material	Spindle		S mm		D mm	M		L ₁ mm	L ₂ mm	Code Assembled	Code	
	Material	Type									Spindle	Base
FE.ZN	7	FE.ZN	4	10.000	40	M16	20	155	115	175255	831872	83624
						M20	24	175	135	175256		83625
						M24	19	160	115	175257		83175
						M30	24	180	135	175258		83173
	8				M24	19	170	125	175259	83182		
					M24	19	230	185	175260	83183		
					M24	19	170	125	175261	83177		
					M30	24	230	185	175262	83176		

ACCESSORIES

code FE.ZN	code INOX	Nuts		
		M		S
171338	171339	16	24	13
171340	171341	20	30	16
171342	171343	24	36	19
171344	171345	30	46	24



code FE.ZN	code INOX	Washers		
		ø d.	ø D	S
171358	171359	17	30	3
171360	171361	21	37	3
171362	171363	25	44	4
171364	171365	31	56	4



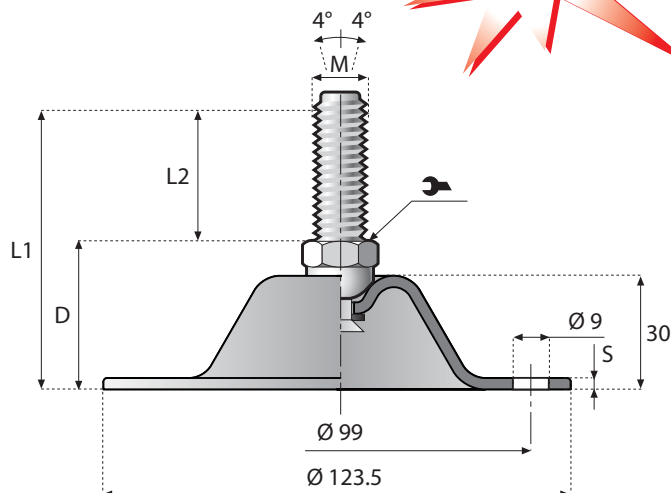
Nuts: UNI 5588-65

Packaging: 25 pieces

Washer: UNI 6592-69

Packaging: 25 pieces

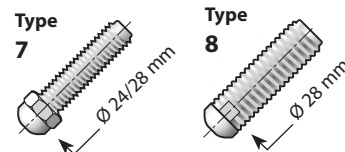
VERSION WITH 4 HOLES



MATERIAL INFORMATION

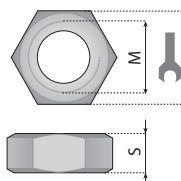
Base, spindle, and washer
(see table):
INOX Stainless Steel AISI 304
FE.ZN Zinc Plated

SPINDLE TYPE



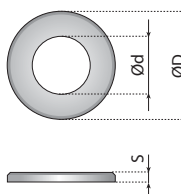
ACCESSORIES

code FE.ZN	code INOX	Nuts		
		M		S
171338	171339	16	24	13
171340	171341	20	30	16
171342	171343	24	36	19
171344	171345	30	46	24



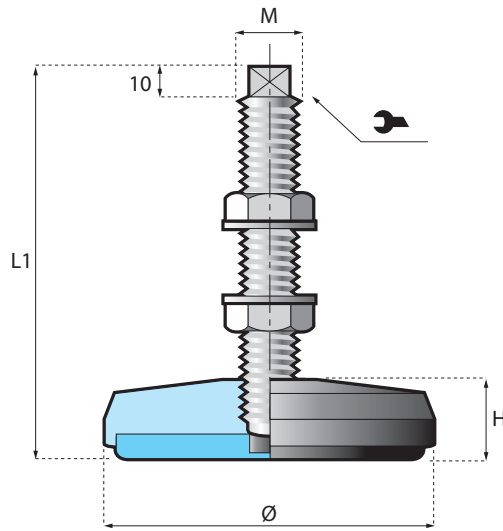
Nuts: UNI 5588-65 Packaging: 25 pieces

code FE.ZN	code INOX	Washers		
		Ø d.	Ø D	S
171358	171359	17	30	3
171360	171361	21	37	3
171362	171363	25	44	4
171364	171365	31	56	4



Washer: UNI 6592-69 Packaging: 25 pieces

Base material	Spindle		S mm		D mm	M		L ₁ mm	L ₂ mm	Code Assembled	Code		
	Material	Type									Spindle	Base	
FE.ZN	FE.ZN	7	4	10.000	40	16	20	155	115	175263	83624	831871	
								175	135	175264	83625		
								160	115	175265	83175		
		8			45	24	180	135	175266	83173			
							170	125	175267	83182			
							230	185	175268	83183			
	INOX	INOX	7	3	6.000	40	16	20	170	125	175269		83177
									230	185	175270		83176
									155	115	175271		83626
			8			45	24	175	135	175272	83627		
								160	115	175273	83174		
								180	135	175274	83172		
30	24	19	170	125	175275	83180							
			230	185	175276	83181							
			170	125	175277	83179							
			230	185	175278	83178							

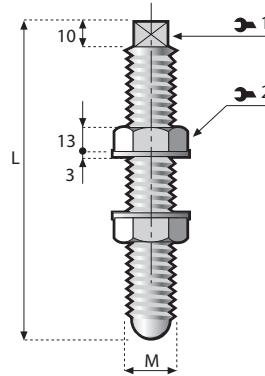


MATERIAL INFORMATION

Base, spindle, nut and washer (see table):

- INOX** Stainless Steel AISI 304
- FE.ZN** Zinc Plated
- FE.VN** Painted Steel

Code standard: With rubber.



ANTI-SLIP PAD



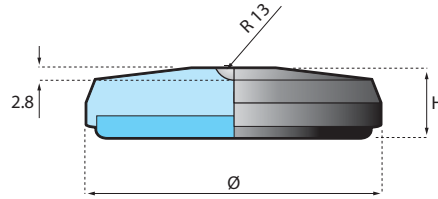
- Code:
- 171312** for foot **D.80**
 - 171314** for foot **D.100**
 - 171316** for foot **D.120**

Anti-slip pad: oil resistant rubber, 70 shore hardness.

Spindle material	Base material		M	1	2	Ø mm	L ₁ mm	H mm	Code Standard
FE.ZN	FE.VN	50.000	M16	10	24	80	146	24	170211
						100		170212	
						120		170213	
INOX	INOX	50.000	M16	10	24	80	146	24	170206
						100		170207	
						120		170208	

ARTICULATED FOOT

D.80 - D.100 - D.120



ANTI-SLIP PAD



Code:
171312 for foot **D.80**
171314 for foot **D.100**
171316 for foot **D.120**

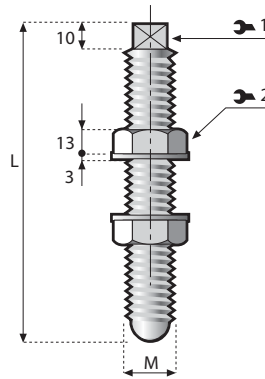
MATERIAL INFORMATION

Base (see table):
INOX Stainless Steel AISI 304
FE.VN Painted Steel

Anti-slip pad: oil resistant rubber, 70 shore hardness.

Colour of the painted version:
 Yellow.

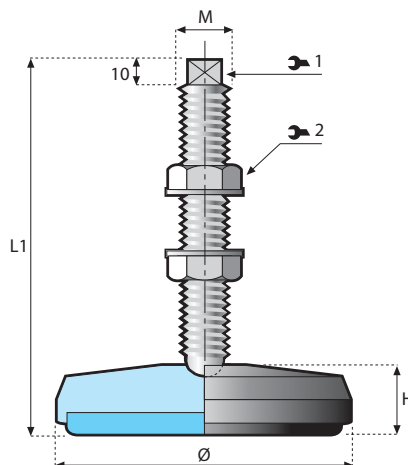
Base material	Ø mm	H mm	Code Standard
FE.VN	80	24	170214
	100		170215
	120	28	170216
INOX	80	24	170217
	100		170218
	120	28	170219



MATERIAL INFORMATION

Spindle, nut and washer (see table):
INOX Stainless Steel AISI 304
FE.ZN Zinc Plated

M	L mm				Spindle material	Code
M16	140	50.000	10	24	FE.ZN	170240
					INOX	170241



MATERIAL INFORMATION

Base, spindle, nut and washer (see table):
INOX Stainless Steel AISI 304
FE.VN Painted steel
FE.ZN Zinc Plated
Anti-slip pad: oil resistant rubber, 70 shore hardness.

Colour of the painted version:
 Yellow.

Spindle material	Base material		M			Ø mm	L ₁ mm	H mm	Code Standard
FE.ZN	FE.VN	50.000	M16	10	24	80	146	24	171302
						100			171303
						120		28	171304
INOX	INOX	50.000	M16	10	24	80	146	24	171305
						100			171306
						120		28	171307



THREADED TUBE ENDS & LOOSE FOOTPLATES

THREADED TUBE ENDS FOR ROUND TUBES



MATERIAL INFORMATION


Material:

Polyamide; threaded bush in nickel plated brass.

Packaging: 50 pieces.

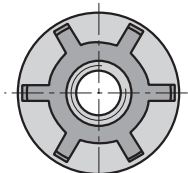
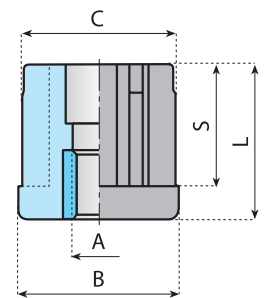
round tubes max.static load								
ø mm	30	38	40	42	48	50	54	60
N	3.000	5.000	5.500	6.000	6.000	6.500	6.500	8.000

STATED LOAD VALUES ARE MEANT FOR STATIC CONDITIONS. SUCH VALUES HAVE TO BE ADEQUATELY REDUCED IN PRESENCE OF HIGH FREQUENCY VIBRATIONS OR DYNAMIC LOADS. FOR FURTHER INFORMATION CONTACT OUR ENGINEERING DEPARTMENT.

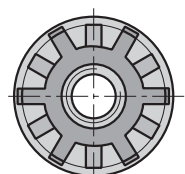
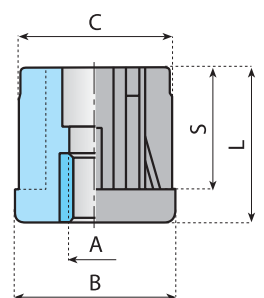
 Preferred types, readily available (codes marked in red)

Round tube			Type	B mm	C mm	L mm	S mm	A	Code
external diameter mm	internal diameter mm	thickness mm							
30	28	1	1	30	28.4	35	29	M10	14799
								M12	14800
								M14	14801
38	35	1.5	1	38	35.5	46.5	38	M10	14773
								M12	14752
								M14	14774
								M16	14764
40	36	2	1	40	36.4	43	34.5	M10	14859
								M12	14860
								M10	14775
42.4	39.4	1.5	1	42	39.9	45.5	38	M12	14763
								M14	14776
								M16	14750
								M20	14765
								M12	14766
48.3	45.3	1.5	1	48	45.8	55	45	M14	14777
								M16	14767
								M20	14751
								M12	14754
50.9	47.9	1.5	1	50	48.4	49	38	M14	14778
								M16	14755
								M20	14768
								M14	14835
54	50	2	2	54	50.5	55	45	M16	14836
								M20	14837
								M16	14791
60.3	57.3	1.5	2	60	58	50	38	M20	14792
								M16	14793
60.3	56.3	2.0	2	60	57	50	38	M20	14794
								M16	14802
60.3	55.3	2.5	2	60	56	50	38	M20	14803
								M20	14804
								M24	14804

TYPE 1



TYPE 2



THREADED TUBE ENDS FOR SQUARE TUBES

MATERIAL INFORMATION


Material:

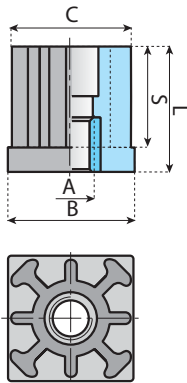
Polyamide; threaded bush in nickel plated brass.

Packaging: 50 pieces.



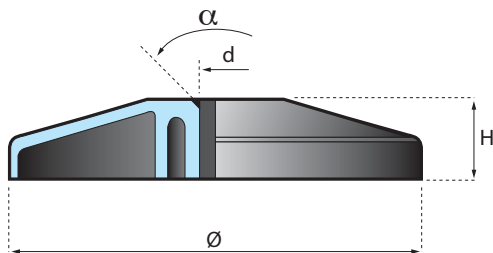
square tubes max.static load							
∅ mm	25	30	35	38	40	50	60
N	5.000	5.500	5.500	6.000	6.000	10.000	12.000


 Preferred types, readily available (codes marked in red)



square tube			B mm	C mm	L mm	S mm	A	Code
external diameter mm	internal diameter mm	thickness mm						
25	22	1.5	25	22.5	30	25	M8	14824
							M10	14822
							M12	14823
30	27	1.5	30	27.5	33	27	M10	14779
							M12	14780
							M14	14781
							M16	14782
30	26	2	30	26.5	33	27	M10	14810
							M12	14811
							M14	14812
							M16	14813
35	32	1.5	35	32.5	43	35	M10	14805
							M12	14806
							M14	14807
							M16	14808
35	31	2	35	31.5	43	35	M10	14825
							M12	14826
							M14	14827
							M16	14828
38.1	34.9	1.6	38	35.4	43	35	M20	14829
							M10	14783
							M12	14756
							M14	14784
38.1	32.1	3	38	32.6	43	35	M16	14757
							M20	14785
							M10	14786
							M12	14758
40	37	1.5	40	37.5	55	45	M14	14759
							M16	14787
							M20	14788
							M10	14790
40	36	2	40	36.5	55	45	M12	14769
							M14	14770
							M16	14771
							M20	14772
50	47	1.5	50	47.5	55	44	M10	14600
							M12	14601
							M14	14602
							M16	14603
50	46	2	50	46.5	55	44	M20	14604
							M12	14605
							M14	14606
							M16	14607
50	45	2.5	50	45.5	55	44	M20	14608
							M12	14609
							M14	14610
							M16	14611
60	46	2	60	56.5	55	45	M20	14612
							M12	14795
							M14	14796
							M16	14797
60	46	2	60	56.5	55	45	M20	14798
							M14	14830
60	46	2	60	56.5	55	45	M16	14831
							M20	14832

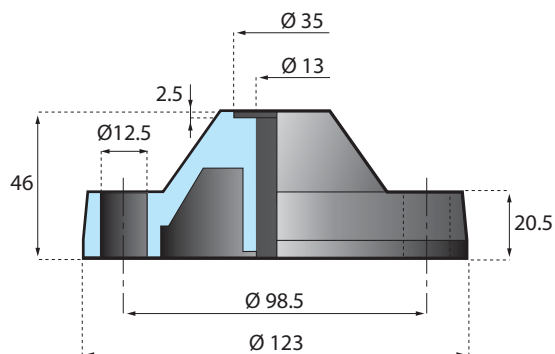
PADS




Ø mm	H mm	d mm	α		Code
80	21	11	90°	16.000	17014
100	23	11	90°	18.000	17015
150	28	11	90°	28.000	17016
180	35	11	120°	30.000	17017
200	40	8.5	120°	40.000	17013

MATERIAL INFORMATION

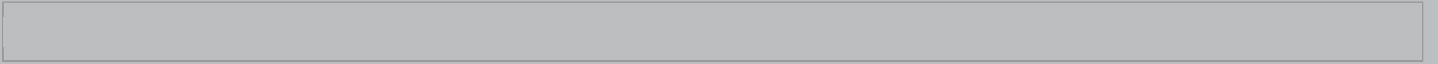
Material:
Polyamide reinforced.



Code	
17872	30.000

MATERIAL INFORMATION

Material:
Polyamide reinforced.



System Plast | **CHEMICAL
RESISTANCE**

CHEMICAL RESISTANCE

Data shown in the table was taken from laboratory tests performed on unstrained samples and are merely indicative.

Chemical resistance under normal working conditions can depend on various factors, such as stress and temperature, concentration of the chemical agent and duration of its effects.

Valid for ambient temperature (21°C)

Chemical agent	METALS							PLASTICS						RUBBERS										
	EXTRA		AISI 304		AISI 316		OT.NI	POM		PBT	PP		PA		PE		EPDM		NBR	SEBS		VITON		
	C %		C %		C %		C %		C %		C %		C %		C %		C %		C %		C %			
Acetic Acid	5	☆	20	☆	100	☆	○	5	●	10	☆	40	☆	10	●	10	☆	25	☆	●	25	○	20	●
Acetone		☆	25	☆		☆	☆		○		○		☆	100	☆		☆		☆	●		○		●
Acrylonitrile						☆							☆	100	☆				☆	●		○		●
Aluminium chloride				○	10	○							○	10	☆				☆	☆		☆	SA	☆
Aluminium sulphate					SA	☆							☆	10	☆		☆		☆	☆		☆	SA	☆
Amyl alcohol				☆		☆				☆			☆	10	☆		☆		☆			☆		☆
Ammonia	☆	100	☆		☆		●		☆		○	30	☆	10	☆		☆		☆	○		○		○
Ammonium chloride				○		☆						10	☆	10	☆				☆	☆		☆	SA	☆
Aniline		☆		☆		☆							☆	100	○	3	☆		●	●		●		☆
Barium chloride				○	SA	☆							☆	10	☆				☆	☆		☆		☆
Beer		☆		☆		☆		☆		☆			☆		☆		☆		☆	☆		☆		☆
Benzene		☆	70	○		☆			☆		●		☆				○		●			●		
Benzoic acid			100	☆	SA	☆				☆		SA	☆	SA	○				●	☆		●		☆
Benzol				☆		☆		☆		☆		○	100	☆		○			●	●		●		○
Boric acid		○	SA	☆		☆				10	☆	SA	☆	10	☆	SA	☆		☆	☆		☆	SA	☆
Brine	10	●		○		☆					☆		○		○		☆		☆	☆		○		☆
Butter				☆		☆		☆		☆		☆		☆		☆		☆	☆		☆	○		☆
Butyl acetate						☆				○		○	100	☆				○				○		●
Butyl alcohol				☆									☆	100	☆				☆	○		☆		☆
Butyl glycole						☆							☆	100	☆				☆			☆		
Calcium chloride		●		○		☆		☆			☆	50	☆	10	☆	SA	☆		☆	☆		☆	SA	☆
Carbon sulphide				☆		☆			☆				☆	100	☆				●	●		●		☆
Carbon tetrachloride			10	☆			☆		☆			●		☆					●					☆
Chlorine water		●		●		○			●	●	●					●	3	○			3	○		
Chloroform		○	10	☆		☆		☆		●		○	100	●		●		●	●		●			☆
Chromic acid			25	☆	50	○				○				1	○			50	○	●	50	●	50	☆
Citric acid	10	☆		☆	SA	☆		●		○	10	☆	10	☆	10	○		☆	☆	☆		☆	SA	☆
Cyclohexane						☆					☆		☆	100	☆				●	☆		●		☆
Cyclohexanol						☆					☆		☆	100	☆				●	☆		○		☆
Decalin						☆					○		○		☆				●	○		●		●
Dioxane						☆					☆		○		☆				○	●		●		
Distilled water		☆	10	☆		☆		☆		☆		☆		☆		☆		☆				☆		●
Ethyl acetate						○		☆			○		☆	100	☆				●					○
Ethyl alcohol						☆			☆			96	☆	96	☆				○					☆
Ethyl chloride						☆		○					●	100	☆		○		○					●
Ethyl ether						☆					☆		☆	100	☆									☆
Ferric chloride						○					10	☆		☆	10	☆			☆	☆		☆	SA	☆
Food fats		☆	100	☆		☆			☆		☆				☆		☆	○		☆		○		☆
Food oils		☆		☆		☆			☆			☆		☆		☆			☆					☆
Formaldehyde		☆		☆		☆		☆		☆		40	☆	30	☆		○		○	○		○	40	●
Formic acid	2	○		●	100	☆		☆	10	●		○			10	●	10	●	☆		☆			○
Freon 12				☆		☆					☆				☆				☆					☆
Fresh water		☆		☆		☆			☆		☆		☆		☆		☆		☆		☆			☆
Fruit juice		☆		○		☆			☆		☆		☆		☆		☆		☆		☆			☆
Gasoline		☆		☆		☆		○			○		○		☆		○		●	○		●		☆
Glycerine		☆		☆		☆		☆		☆		☆		☆		☆		☆		☆		☆		☆
Hydrochloric acid		●		●		●		○	35	●	20	○	30	☆		●	35	☆	15	☆		○	15	☆
Hydrofluoric acid						●							40	☆		●	70	☆			●			48
Hydrogen peroxide	3	☆		☆		100	☆								●			30	○	●	30	●	90	☆
Isopropyl alcohol						☆					☆		☆		☆				☆			☆		☆
Lactic acid			○			☆		●		☆	10	☆	20	☆		☆		☆		○	☆		○	☆
Linseed oil						☆		☆		☆		☆		☆		☆		○		☆		●		

Chemical agent	METALS					PLASTICS					RUBBERS								
	EXTRA		AISI 304	AISI 316	OT.NI	POM	PBT	PP	PA	PE	EPDM	NBR	SEBS	VITON					
	C %	C %	C %	C %	C %	C %	C %	C %	C %	C %	C %	C %	C %						
Magnesium chloride			○	☆			☆	☆	☆		☆	☆	☆	SA	☆				
Methyl acetate			○	☆			○	☆	☆		○	●	●		●				
Methyl alcohol		80	☆	☆	☆	☆	☆		☆		☆	○	☆		○				
Methylene chloride	○		○	☆		●	●	○	☆		○	●	●		○				
Milk	☆		☆	☆	☆	☆	☆	☆	☆	☆	○	☆	☆		☆				
Mineral oil			☆	☆		☆	☆	☆	☆	☆	●	☆	●		☆				
Nitric acid	25	○	65	☆		●	10	●	25	●	○		10	●	70	☆			
Nitrobenzene				☆				☆	☆	○		●	●	○	○				
Oleic acid		○	☆	☆	☆			☆	☆	☆	○	●	○	●	○				
Oxalic acid			65	☆	☆			10	☆	☆	○	○	○	○	☆				
Paraffin				☆		☆	☆				☆	○		●					
Petroleum			☆	☆	☆	☆	☆	☆	☆	☆	●	●	☆	●	☆				
Petroleum ether			☆	☆	☆	☆	○	☆	☆	☆		●	●	●	☆				
Phenol			☆	☆			●	☆	●		○	●	○		☆				
Phosphoric acid	25	○		●	☆	●	●	●	☆	●	☆	☆	20	○	☆	85	☆		
Potassium bichromate				SA	☆			○	☆	○		☆	○	○	SA	☆			
Potassium bromite				☆				☆	☆	☆		☆	☆	☆		☆			
Potassium hydroxide	☆	50	☆	☆		●	●	☆	☆	☆	☆	○	☆		☆				
Potassium permanganate			☆	☆				☆	☆	●		10	☆	●	10	○	☆		
Sea water	●		☆	☆	☆	○	☆	☆	☆	☆	☆	☆	☆	☆	○		☆		
Silicone oil				☆				☆	☆	☆		☆	☆	☆		☆			
Silver nitrate			○	☆					☆	☆				○			☆		
Sodium carbonate		☆	100	☆	SA	☆	☆	10	☆	☆	☆	☆	☆	☆	☆		☆		
Sodium chloride		○	○	☆	☆	☆	☆		☆	☆	☆	☆	☆	☆	☆	SA	☆		
Sodium hydroxide	40	☆		☆	60	☆		10	●		☆		☆	○	☆				
Sodium hypochlorite			●	SA	○		●	10	○	☆	☆	☆	10	☆	●	10	○	5	☆
Sodium silicate			100	☆	☆					☆		☆	☆	☆	☆		☆		
Sodium sulphate			100	☆	☆					☆		○	☆	☆	☆		☆		
Soft drinks				☆	☆		☆	☆	☆	☆	☆	☆	☆	☆	☆		☆		
Suds				☆	☆		☆	10	☆	☆	☆	☆	☆	☆	☆		☆		
Sulphuric acid	●		●	○	☆	●	2	☆	☆	●	○	50	☆	●	50	○	95	☆	
Tartaric acid	☆	50	☆	☆		○	50	☆	☆	☆	☆	☆	○	☆	☆		☆		
Tetrahydrofuran				☆				☆	○	☆		●	●	●	●		●		
Tetralin			●	☆				☆	●	☆		●	●	●	●		☆		
Tincture of iodine			○	☆	●				☆	●	☆	○	●	○			☆		
Toluol		☆		☆				☆	☆	☆		●	●	●	●		○		
Transformer oil		☆		☆				☆	○	☆		●	☆	●			☆		
Trichloroethylene			●	100	☆			●	○	○		●	●	●	●		☆		
Triethanolamin				☆				☆	☆	☆		○	●	○			●		
Turpentine	☆		☆	☆		●		☆			●	●	●	●			☆		
Vaseline				☆				☆		☆	○	●	☆	●			☆		
Vegetable juice	☆		☆	☆		☆		☆	☆	☆	☆	☆	☆	☆	☆		☆		
Vegetable oils	☆		☆	☆		☆		●	☆	☆	☆	○	☆	○			☆		
Vinegar	☆		☆	100	☆	☆		10	☆	☆	☆	☆	25	☆	○	25	○	●	
Water and soap	☆		☆	☆		☆		☆	☆	☆	☆	☆	☆	☆	☆		☆		
Whisky	☆		☆	☆		☆		☆	☆	☆		☆	☆	☆	☆		☆		
Wine	☆		☆	☆		☆		☆	☆	☆	○	☆	☆	☆	☆		☆		
Xilol	☆		☆	☆		○		●	☆	●	☆	☆	●	●	●		☆		

ABBREVIATION

C = concentration
SA = saturated

☆ = good resistance
● = insufficient resistance (not recommended)

○ = fairly good resistance depending on use conditions
blank spaces = no tests performed

All values are only applicable to temperatures below 20°C.

SELECT YOUR LEVELING PAD

CALL OUR ENGINEERING EXPERTS

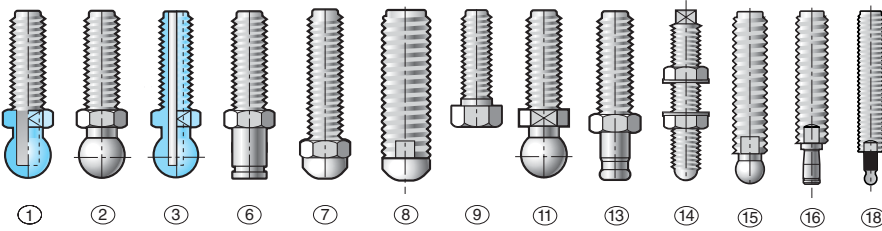
To order the products you have selected, or to get expert advice in choosing the right ones for your application, call our Engineering Department or fax your specifications. We will be pleased to quote on pads manufactured to your special requirements. This page can be used when extensive modifications or a special design is required.

COMPANY NAME: _____

ADDRESS: _____ CITY: _____ STATE/PROVINCE: _____ POSTAL CODE: _____

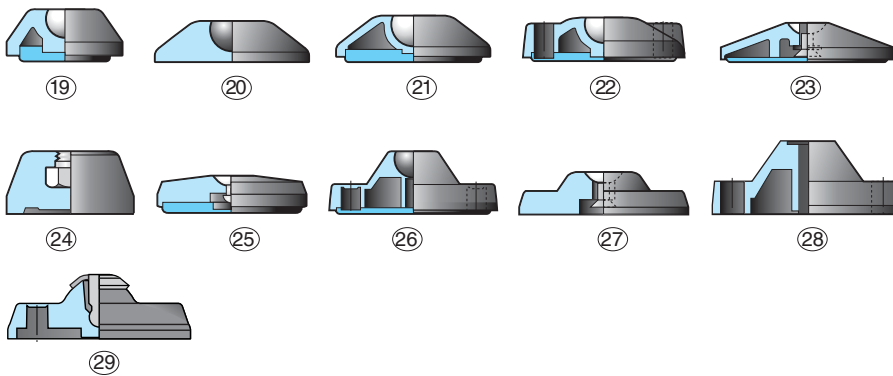
CONTACT: _____ POSITION: _____ PHONE: _____ FAX: _____

SPINDLES



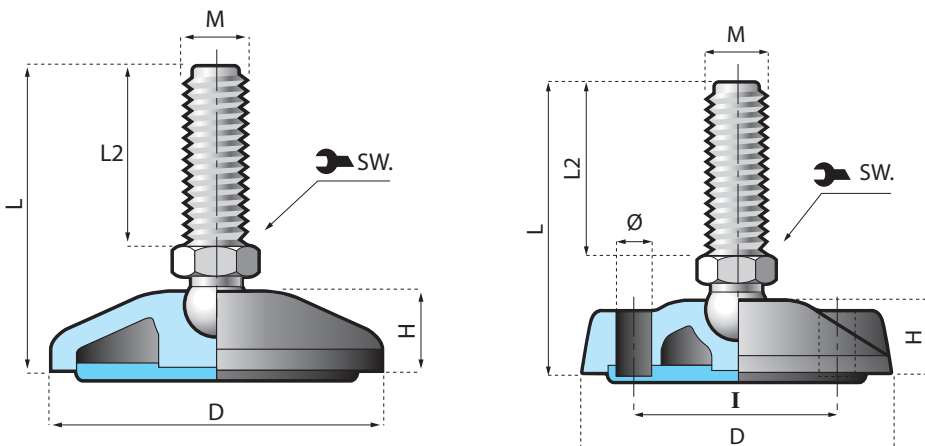
- Type _____ NO. _____
- DIMENSIONS**
- Usable thread L2 _____
- Height overall L _____
- Thread diameter M _____
- Socket Box Wrench SW. _____
- MATERIALS**
- Zinc Plated Steel
- Stainless Steel
- Zinc Plated Steel + Polyamide ball
- Stainless Steel + Polyamide ball
- Polyamide + Steel insert
- Nickel Plated Steel
- Other

PADS



- Type _____ NO. _____
- DIMENSIONS**
- Diameter D. _____
- Height H. _____
- MATERIALS**
- Reinforced Polyamide
- Reinforced Polypropylene
- Stainless Steel AISI 304
- Zinc Plated Steel
- Painted Steel
- Other
- WITH FIXING HOLES**
- Yes No
- Holes Diameter ϕ . _____
- Distance Between Holes I. _____
- WITH ANTIVIBRATION RUBBER**
- Yes No

PADS



- LOAD:**
- Maximum Static Load Newton N. _____
- Quantity Required _____ NO. _____
- Per order Per year
- Inquiry Date: _____
- Requested delivery: _____
- Additional requirements: _____

INDEX

Code	Page	Code	Page	Code	Page	Code	Page	Code	Page	Code	Page
14600	65	14792	64	17018	46	17089	25	17194	26	17259	31
14601	65	14793	64	17019	46	17092	25	17197	26	17260	31
14602	65	14794	64	17020	46	17094	25	17198	26	17261	26
14603	65	14795	65	17021	46	17095	25	17199	26	17265	26
14604	65	14796	65	17022	46	17096	25	17201	45	17269	31
14605	65	14797	65	17023	46	17097	25	17202	45	17271	26
14606	65	14798	65	17024	46	17099	25	17203	45	17273	26
14607	65	14799	64	17025	46	17100	25	17204	45	17275	26
14608	65	14800	64	17026	46	17101	24	17205	45	17277	26
14609	65	14801	64	17027	46	17102	24	17206	45	17282	26
14610	65	14802	64	17028	46	17103	25	17207	45	17283	26
14611	65	14803	64	17029	46	17104	25	17208	45	17284	26
14612	65	14804	64	17030	46	17107	25	17210	45	17289	26
14750	64	14805	65	17031	46	17109	25	17212	45	17290	26
14751	64	14806	65	17032	46	17110	25	17213	45	17291	26
14752	64	14807	65	17033	46	17111	25	17214	45	17292	31
14754	64	14808	65	17034	46	17112	25	17216	45	17293	31
14755	64	14809	65	17035	46	17114	25	17218	45	17296	31
14756	65	14810	65	17036	46	17115	25	17219	45	17297	31
14757	65	14811	65	17037	46	17116	24	17220	45	17300	26
14758	65	14812	65	17038	46	17117	24	17221	52	17301	26
14759	65	14813	65	17039	46	17119	24	17222	52	17302	26
14763	64	14822	65	17040	46	17124	24	17223	52	17303	26
14764	64	14823	65	17041	46	17125	24	17224	52	17304	26
14765	64	14824	65	17042	45	17127	24	17225	52	17305	26
14766	64	14825	65	17043	45	17129	24	17226	52	17306	31
14767	64	14826	65	17044	45	17130	24	17227	52	17308	31
14768	64	14827	65	17045	45	17131	24	17228	52	17309	31
14769	65	14828	65	17046	45	17133	24	17230	52	17310	31
14770	65	14829	65	17047	45	17135	24	17231	52	17312	31
14771	65	14830	65	17048	45	17136	24	17232	52	17313	31
14772	65	14831	65	17049	45	17137	24	17233	52	17314	31
14773	64	14832	65	17051	45	17138	24	17234	52	17317	31
14774	64	14835	64	17052	45	17141	24	17236	52	17318	31
14775	64	14836	64	17053	45	17142	24	17237	52	17321	31
14776	64	14837	64	17055	45	17143	24	17238	52	17322	31
14777	64	14851	22	17056	45	17144	24	17239	52	17323	31
14778	64	14852	22	17057	45	17147	24	17240	52	17324	31
14779	65	14853	22	17058	43	17148	24	17242	52	17325	31
14780	65	14854	22	17059	43	17149	24	17244	52	17326	31
14781	65	14855	22	17060	43	17163	25	17246	52	17327	31
14782	65	14859	64	17061	43	17166	25	17248	52	17328	31
14783	65	14860	64	17062	43	17168	25	17250	52	17329	31
14784	65	17002	26	17063	43	17169	25	17252	52	17330	31
14785	65	17004	26	17064	43	17170	25	17253	36	17335	36
14786	65	17013	66	17065	43	17173	25	17254	36	17337	36
14787	65	17014	66	17082	24	17174	25	17255	36	17338	36
14788	65	17015	66	17083	24	17177	25	17256	36	17339	36
14790	65	17016	66	17085	24	17188	26	17257	31	17341	36
14791	64	17017	66	17088	25	17191	26	17258	31	17342	36

Code	Page	Code	Page	Code	Page	Code	Page	Code	Page	Code	Page
17344	36	17428	36	17515	26	17585	39	17675	43	17727	24
17345	36	17429	36	17516	26	17586	39	17676	43	17728	24
17346	36	17430	36	17517	26	17587	39	17677	43	17729	24
17348	36	17431	36	17519	26	17588	39	17678	43	17730	24
17349	36	17432	36	17520	43	17589	39	17679	43	17733	24
17351	36	17445	36	17521	43	17593	39	17680	43	17734	24
17352	36	17446	36	17523	26	17596	39	17681	43	17735	25
17354	36	17447	26	17524	26	17598	39	17682	43	17736	25
17355	36	17449	26	17525	26	17599	39	17683	39	17739	25
17356	36	17452	45	17526	45	17600	53	17684	39	17740	25
17358	36	17453	45	17527	45	17601	53	17685	39	17741	25
17359	36	17455	45	17528	43	17602	53	17686	39	17742	25
17361	36	17456	43	17531	31	17603	53	17687	39	17745	25
17362	36	17458	43	17532	31	17604	53	17688	39	17746	25
17363	43	17459	43	17533	33	17605	53	17689	39	17747	43
17365	43	17462	36	17534	33	17606	53	17690	39	17748	43
17366	43	17465	36	17536	33	17607	53	17691	39	17749	43
17367	43	17469	43	17538	33	17608	53	17692	39	17750	43
17369	43	17470	43	17540	33	17609	53	17693	45	17751	43
17370	43	17471	43	17541	33	17610	53	17694	45	17752	43
17371	26	17473	43	17542	33	17611	53	17695	45	17753	43
17372	26	17474	43	17543	33	17613	53	17696	45	17754	43
17373	43	17475	43	17545	33	17614	53	17697	45	17755	43
17374	43	17488	26	17547	33	17618	39	17698	45	17756	43
17375	43	17489	26	17549	33	17619	39	17699	45	17757	43
17376	43	17490	26	17550	33	17620	39	17700	45	17758	43
17377	43	17491	26	17551	33	17621	39	17701	45	17759	43
17378	43	17492	26	17552	33	17622	39	17702	45	17760	43
17380	43	17493	26	17553	33	17629	39	17703	45	17761	43
17381	43	17494	26	17554	33	17630	39	17704	45	17762	43
17382	43	17495	26	17555	33	17631	39	17705	45	17763	43
17388	43	17496	36	17556	33	17632	39	17706	45	17764	43
17389	43	17497	36	17557	33	17635	39	17707	45	17765	43
17390	43	17498	36	17560	33	17638	39	17708	45	17766	26
17391	45	17499	36	17561	33	17645	39	17709	45	17767	26
17392	45	17500	36	17562	33	17646	39	17710	43	17768	26
17393	45	17501	36	17563	33	17647	39	17711	43	17769	26
17394	45	17502	36	17564	33	17648	39	17712	43	17770	26
17396	45	17503	36	17565	33	17651	39	17713	43	17771	26
17397	45	17504	36	17566	33	17654	39	17714	26	17772	26
17398	45	17505	36	17567	33	17655	39	17715	26	17773	26
17399	45	17506	45	17570	33	17656	39	17716	26	17774	26
17400	45	17507	45	17571	33	17662	39	17717	43	17775	26
17413	36	17508	45	17572	33	17663	39	17718	43	17776	26
17416	36	17509	45	17573	39	17669	39	17719	43	17777	26
17420	36	17510	45	17577	39	17670	39	17720	43	17778	26
17423	36	17511	45	17580	39	17671	39	17721	43	17779	26
17425	36	17512	45	17582	39	17672	39	17722	26	17780	26
17426	36	17513	45	17583	39	17673	43	17723	24	17781	26
17427	36	17514	26	17584	39	17674	43	17724	24	17782	39

INDEX

Code	Page	Code	Page	Code	Page	Code	Page	Code	Page	Code	Page
17783	39	17835	36	17901	31	17963	49	170014	49	170067	50
17784	39	17836	36	17904	31	17964	49	170015	49	170068	50
17785	39	17837	36	17905	31	17965	49	170016	49	170069	50
17786	39	17838	36	17906	31	17966	49	170020	33	170070	50
17787	39	17839	36	17907	31	17967	49	170021	49	170071	50
17788	39	17840	36	17908	33	17968	49	170022	49	170072	50
17789	39	17846	43	17909	33	17969	49	170023	49	170073	50
17790	39	17848	36	17912	33	17970	49	170024	49	170074	50
17791	39	17849	36	17913	33	17971	49	170025	49	170075	50
17792	39	17850	45	17914	33	17972	49	170026	49	170076	50
17793	39	17851	26	17915	33	17973	49	170027	49	170077	33
17794	39	17852	26	17916	26	17974	49	170028	49	170078	33
17795	39	17853	43	17917	25	17975	49	170029	49	170079	33
17796	39	17855	43	17918	25	17976	49	170030	49	170081	48
17797	39	17857	43	17921	25	17977	49	170031	49	170085	48
17798	39	17859	43	17922	25	17978	49	170032	49	170088	48
17799	39	17861	45	17923	25	17979	49	170033	49	170090	48
17800	39	17863	45	17924	25	17980	49	170034	49	170091	48
17801	39	17864	52	17925	24	17981	49	170035	49	170092	48
17802	39	17865	52	17926	24	17982	49	170036	49	170096	48
17803	39	17866	26	17929	24	17983	49	170037	49	170099	48
17804	39	17867	26	17930	24	17984	49	170038	49	170101	48
17805	39	17868	26	17931	24	17985	49	170039	49	170102	48
17806	39	17869	26	17932	24	17986	49	170040	49	170109	48
17807	39	17870	52	17933	53	17987	49	170041	49	170110	48
17808	39	17871	52	17934	53	17988	49	170042	49	170111	48
17809	43	17872	66	17935	53	17989	49	170043	49	170120	48
17810	43	17873	26	17936	53	17990	49	170044	49	170121	48
17812	43	17874	26	17937	26	17991	49	170045	50	170122	48
17814	39	17879	26	17938	53	17992	49	170046	50	170125	48
17815	36	17880	47	17939	53	17993	49	170047	50	170126	48
17816	36	17881	47	17940	53	17994	49	170048	50	170127	48
17817	36	17882	47	17941	53	17995	49	170049	50	170128	48
17818	36	17883	47	17942	53	17996	49	170050	50	170129	48
17819	36	17884	47	17943	53	17997	49	170051	50	170130	48
17820	36	17885	47	17944	53	17998	49	170052	50	170131	48
17821	36	17886	47	17945	53	17999	49	170053	50	170132	48
17822	36	17887	47	17947	53	170001	49	170054	50	170133	48
17823	36	17888	26	17948	53	170002	49	170055	50	170134	48
17824	36	17889	26	17952	49	170003	49	170056	50	170135	48
17825	36	17890	26	17953	49	170004	49	170057	50	170136	48
17826	36	17891	26	17954	49	170005	49	170058	50	170137	48
17827	36	17892	26	17955	49	170006	49	170059	50	170138	48
17828	36	17893	26	17956	49	170007	49	170060	50	170139	48
17829	36	17894	31	17957	49	170008	49	170061	50	170140	48
17830	36	17895	31	17958	49	170009	49	170062	50	170141	48
17831	36	17896	31	17959	49	170010	49	170063	50	170142	48
17832	36	17897	31	17960	49	170011	49	170064	50	170143	48
17833	36	17899	26	17961	49	170012	49	170065	50	170144	48
17834	36	17900	31	17962	49	170013	49	170066	50	170145	48

Code	Page	Code	Page	Code	Page	Code	Page	Code	Page	Code	Page
170146	48	170207	60	170259	54	170313	35	170418	56	170488	56
170147	48	170208	60	170260	35	170316	35	170419	24	170489	56
170148	48	170209	45	170261	35	170318	35	170420	24	170490	56
170149	48	170210	45	170262	35	170319	35	170421	24	170491	56
170150	48	170211	60	170263	35	170320	35	170422	24	170492	56
170151	48	170212	60	170264	35	170321	35	170423	25	170493	56
170152	48	170213	60	170265	35	170322	35	170424	25	170494	56
170153	48	170214	60	170266	35	170326	35	170425	25	170495	56
170154	48	170215	60	170267	35	170329	35	170426	25	170496	56
170155	48	170216	60	170268	35	170331	35	170427	48	170497	56
170156	48	170217	60	170269	35	170332	35	170428	48	170498	56
170157	48	170218	60	170270	35	170333	35	170429	48	170499	56
170158	48	170219	60	170271	35	170334	35	170430	48	170500	56
170159	48	170220	54	170272	35	170341	35	170435	47	170501	56
170160	48	170221	54	170273	35	170342	35	170436	47	170502	56
170161	48	170222	54	170274	35	170343	35	170437	47	170503	56
170162	48	170223	54	170275	35	170354	35	170438	47	170504	56
170163	48	170224	54	170276	35	170355	35	170439	47	170530	55
170164	48	170225	54	170277	35	170356	35	170440	47	170531	55
170165	48	170226	54	170278	35	170364	35	170441	47	170532	55
170166	48	170227	54	170279	35	170365	35	170442	47	170533	55
170167	48	170228	54	170280	35	170374	35	170443	47	170534	55
170168	48	170229	54	170281	35	170375	35	170444	47	170535	55
170169	48	170230	54	170282	35	170381	35	170445	47	170536	55
170170	48	170231	54	170283	35	170382	35	170446	47	170537	55
170171	48	170232	54	170285	35	170383	35	170447	47	170538	55
170172	48	170233	54	170286	35	170384	35	170448	47	170539	55
170173	48	170234	54	170287	35	170385	35	170449	47	170540	55
170174	48	170235	54	170288	35	170386	35	170450	47	170541	55
170175	48	170236	54	170289	35	170387	48	170451	52	170542	55
170176	48	170237	54	170290	35	170388	48	170452	52	170543	55
170177	48	170240	60	170291	35	170394	48	170454	52	170544	55
170178	48	170241	60	170292	35	170395	48	170455	52	170545	55
170180	33	170242	54	170293	35	170401	56	170463	53	170546	55
170181	33	170243	54	170294	35	170402	56	170464	53	170547	55
170182	33	170244	54	170295	35	170403	56	170466	53	170548	55
170184	33	170245	54	170296	35	170404	56	170467	53	170549	55
170186	33	170246	54	170297	35	170405	56	170475	56	170550	55
170187	33	170247	54	170298	35	170406	56	170476	56	170551	55
170188	33	170248	54	170299	35	170407	56	170477	56	170552	55
170190	33	170249	54	170300	35	170408	56	170478	56	170553	55
170192	31	170250	54	170301	35	170409	56	170479	56	170554	55
170194	31	170251	54	170302	35	170410	56	170480	56	170555	55
170195	31	170252	54	170303	35	170411	56	170481	56	170556	55
170197	31	170253	54	170304	35	170412	56	170482	56	170557	55
170198	31	170254	54	170305	35	170413	56	170483	56	170558	55
170200	31	170255	54	170306	35	170414	56	170484	56	170559	55
170201	31	170256	54	170307	35	170415	56	170485	56	170560	55
170203	31	170257	54	170308	35	170416	56	170486	56	170561	55
170206	60	170258	54	170309	35	170417	56	170487	56	170562	55

INDEX

Code	Page	Code	Page	Code	Page	Code	Page	Code	Page	Code	Page
170563	55	170615	57	170713	41	170772	28	170861	28	170917	29
170564	55	170616	57	170714	41	170775	28	170862	28	170918	29
170565	55	170617	57	170715	41	170777	28	170863	28	170919	29
170566	55	170618	57	170716	41	170778	28	170864	28	170920	29
170567	55	170619	57	170717	41	170779	28	170865	28	170921	29
170568	55	170620	57	170718	41	170780	28	170866	28	170922	29
170569	55	170621	57	170719	41	170781	28	170867	28	170925	29
170570	55	170622	57	170720	41	170785	28	170868	28	170926	29
170571	55	170623	57	170721	41	170788	28	170869	28	170927	29
170572	55	170624	57	170722	41	170790	28	170870	28	170930	30
170573	55	170625	57	170723	41	170791	28	170871	28	170934	30
170574	55	170626	57	170724	41	170792	28	170872	28	170937	30
170575	55	170627	57	170725	41	170793	28	170873	28	170939	30
170576	55	170628	57	170726	41	170800	28	170874	28	170940	30
170577	55	170629	57	170727	41	170801	28	170875	28	170941	30
170580	54	170630	57	170728	41	170802	28	170876	28	170942	30
170581	54	170631	57	170729	41	170813	28	170877	28	170949	30
170582	54	170632	57	170730	41	170814	28	170878	28	170950	30
170583	54	170633	57	170731	41	170815	28	170879	28	170951	30
170584	54	170634	57	170732	41	170820	28	170880	28	170956	30
170585	54	170635	57	170733	41	170821	28	170881	28	170957	30
170586	54	170636	57	170734	41	170822	28	170882	28	170958	30
170587	54	170637	57	170735	41	170823	28	170883	28	170959	27
170588	54	170638	57	170737	30	170824	28	170884	28	170960	27
170589	54	170639	57	170738	30	170825	28	170885	28	170961	27
170590	54	170688	49	170744	30	170826	28	170886	28	170962	27
170591	54	170689	49	170745	30	170827	28	170887	28	170963	27
170592	57	170690	49	170746	30	170828	28	170888	28	170965	27
170593	57	170691	49	170747	30	170829	28	170889	28	170966	27
170594	57	170692	49	170748	30	170830	28	170890	28	170967	27
170595	57	170693	49	170749	30	170831	28	170891	28	170970	27
170596	57	170694	49	170750	30	170832	28	170892	28	170972	27
170597	57	170695	49	170751	30	170838	28	170893	28	170974	27
170598	57	170696	49	170752	30	170839	28	170894	28	170975	27
170599	57	170697	49	170753	30	170840	28	170895	28	170976	27
170600	57	170698	49	170754	30	170841	28	170896	29	170977	27
170601	57	170699	49	170755	30	170842	28	170897	29	170978	27
170602	57	170700	49	170756	30	170848	28	170898	29	170979	27
170603	57	170701	49	170757	30	170849	28	170900	29	170981	27
170604	57	170702	49	170758	30	170850	28	170901	29	170982	27
170605	57	170703	49	170759	30	170851	28	170902	29	170983	27
170606	57	170704	41	170760	30	170852	28	170905	29	170986	27
170607	57	170705	41	170761	30	170853	28	170907	29	170988	27
170608	57	170706	41	170762	30	170854	28	170909	29	170990	27
170609	57	170707	41	170763	30	170855	28	170910	29	170991	27
170610	57	170708	41	170764	30	170856	28	170911	29	170992	27
170611	57	170709	41	170765	30	170857	28	170912	29	170993	27
170612	57	170710	41	170766	30	170858	28	170913	29	170994	27
170613	57	170711	41	170767	30	170859	28	170914	29	170995	27
170614	57	170712	41	170768	28	170860	28	170916	29	170997	27

Code	Page	Code	Page	Code	Page	Code	Page	Code	Page	Code	Page
170998	27	171062	27	171112	35	171164	36	171216	43	171270	45
170999	27	171063	27	171113	35	171165	36	171217	43	171271	45
171000	27	171064	27	171114	35	171166	36	171218	43	171272	45
171001	27	171065	27	171115	35	171167	36	171219	43	171273	45
171002	27	171066	27	171116	35	171168	36	171220	43	171274	45
171003	27	171067	27	171117	35	171169	36	171221	43	171275	45
171006	27	171068	27	171118	35	171170	36	171222	43	171276	45
171007	27	171069	27	171119	35	171171	36	171223	43	171277	45
171008	27	171070	27	171120	35	171172	36	171224	43	171278	45
171011	27	171071	27	171121	35	171173	36	171225	43	171279	45
171013	27	171072	27	171122	35	171174	39	171226	43	171280	45
171014	27	171073	27	171123	35	171175	39	171227	43	171281	45
171015	27	171074	27	171124	35	171176	39	171228	43	171282	45
171016	27	171075	27	171125	35	171177	39	171230	43	171283	45
171017	27	171076	27	171126	35	171178	39	171231	43	171284	45
171018	27	171077	27	171127	35	171179	39	171232	43	171285	45
171019	27	171078	27	171128	35	171180	39	171233	43	171286	45
171022	27	171079	27	171129	35	171181	39	171234	43	171287	45
171023	27	171080	27	171130	35	171182	39	171235	43	171288	45
171024	27	171081	27	171131	35	171183	39	171236	43	171289	45
171030	26	171082	27	171132	35	171184	39	171238	48	171290	45
171031	26	171083	27	171134	35	171185	39	171239	48	171291	45
171032	26	171084	27	171135	35	171186	39	171240	48	171292	45
171033	26	171085	27	171136	35	171187	39	171241	48	171293	45
171034	26	171086	27	171137	35	171188	39	171242	48	171294	45
171035	26	171087	27	171138	35	171189	39	171243	48	171295	45
171036	26	171088	27	171139	35	171190	39	171244	48	171296	45
171037	26	171089	27	171140	35	171191	39	171245	48	171297	45
171038	26	171090	27	171142	36	171192	39	171246	48	171298	45
171039	26	171091	27	171143	36	171193	39	171247	48	171299	45
171040	26	171092	27	171144	36	171194	39	171248	48	171300	45
171041	26	171093	27	171145	36	171195	39	171249	48	171301	45
171042	26	171094	29	171146	36	171196	39	171250	48	171302	60
171043	26	171095	29	171147	36	171198	39	171251	48	171303	60
171044	26	171096	29	171148	36	171199	39	171252	48	171304	60
171045	26	171097	29	171149	36	171200	39	171253	48	171305	60
171046	26	171098	29	171150	36	171201	39	171254	48	171306	60
171047	26	171099	29	171151	36	171202	39	171255	48	171307	60
171048	26	171100	29	171152	36	171203	39	171256	48	171330	6-7-9
171049	26	171101	29	171153	36	171204	39	171257	48	171331	6-7-9
171050	26	171102	29	171154	36	171206	43	171258	48	171332	6-7-9
171051	26	171103	29	171155	36	171207	43	171259	48	171333	6-7-9-18-19
171052	26	171104	29	171156	36	171208	43	171260	48	171334	6-9-14
171054	26	171105	29	171157	36	171209	43	171262	48	171335	6-9-14-18-19
171055	26	171106	29	171158	36	171210	43	171263	48	171336	6-9
171056	26	171107	29	171159	36	171211	43	171264	48	171337	8-9-18-19
171057	26	171108	29	171160	36	171212	43	171265	48	171338	8-16-58-59
171058	26	171109	29	171161	36	171213	43	171266	48	171339	8-21-58-59
171059	26	171110	35	171162	36	171214	43	171267	48	171340	8-16-58-59
171060	26	171111	35	171163	36	171215	43	171268	48	171341	8-21-58-59

INDEX

Code	Page	Code	Page	Code	Page	Code	Page	Code	Page	Code	Page
171342	10→16-58→59	175021	32	175107	40	175177	40	175235	11	176006	6
171343	10→21-58→59	175022	32	175108	40	175178	40	175236	11	176007	6
171344	58→59	175023	32	175109	40	175179	40	175237	11	176008	6
171345	58→59	175024	32	175110	40	175180	40	175238	11	176009	6
171350	6-7-9	175025	32	175117	40	175181	40	175239	58	176010	6
171351	6-7-9-18→19	175026	32	175118	40	175182	40	175240	58	176011	6
171352	6-7-9	175027	32	175119	40	175183	40	175241	58	176050	6
171353	6-7-9-18→19	175030	32	175124	40	175184	40	175242	58	176051	6
171354	6→9-14	175031	32	175125	40	175185	40	175243	58	176052	6
171355	6→9-14-18→19	175032	32	175126	40	175186	40	175244	58	176053	6
171356	6→9	175035	34	175127	37	175187	40	175245	58	176054	6
171357	6→9-18→19	175036	34	175128	37	175188	40	175246	58	176055	6
171358	8→16-58→59	175037	34	175134	37	175189	44	175247	58	176056	6
171359	8→21-58→59	175039	34	175135	37	175190	44	175248	58	176057	6
171360	8→16-58→59	175040	34	175136	37	175191	44	175249	58	176058	6
171361	8→21-58→59	175041	34	175137	37	175192	44	175250	58	176059	6
171362	10→16-58→59	175044	34	175138	37	175193	44	175251	58	176060	6
171363	10→21-58→59	175046	34	175139	37	175194	44	175252	58	176061	6
171364	58→59	175048	34	175140	37	175195	44	175253	58	176100	7
171365	58→59	175049	34	175141	37	175196	44	175254	58	176101	7
171371	42	175050	34	175142	37	175197	44	175255	58	176102	7
171372	42	175051	34	175143	37	175198	44	175256	58	176103	7
171373	42	175052	34	175144	37	175199	44	175257	58	176104	7
171374	42	175053	34	175145	37	175200	44	175258	58	176105	7
171375	42	175055	34	175146	37	175201	51	175259	58	176106	7
171376	42	175056	34	175147	37	175202	51	175260	58	176107	7
171377	42	175057	34	175148	37	175203	51	175261	58	176108	7
171378	42	175058	34	175149	37	175205	51	175262	58	176109	7
171379	42	175059	34	175150	37	175206	51	175263	59	176110	7
171380	42	175060	34	175151	37	175210	51	175264	59	176111	7
171381	42	175061	34	175152	37	175211	51	175265	59	176150	7
171382	42	175064	34	175153	37	175212	51	175266	59	176151	7
171383	42	175065	34	175154	37	175213	51	175267	59	176152	7
171384	42	175066	34	175155	37	175218	51	175268	59	176153	7
171385	42	175070	37	175156	37	175219	11	175269	59	176154	7
171386	42	175073	37	175157	37	175220	11	175270	59	176155	7
175001	32	175076	37	175158	40	175221	11	175271	59	176156	7
175002	32	175078	37	175159	40	175222	11	175272	59	176157	7
175003	32	175079	37	175165	40	175223	11	175273	59	176158	7
175005	32	175080	37	175166	40	175224	11	175274	59	176159	7
175006	32	175081	37	175167	40	175225	11	175275	59	176160	7
175007	32	175088	37	175168	40	175226	11	175276	59	176161	7
175010	32	175089	37	175169	40	175227	11	175277	59	176200	8
175012	32	175090	37	175170	40	175228	11	175278	59	176201	8
175014	32	175095	37	175171	40	175229	11	176000	6	176202	8
175015	32	175096	37	175172	40	175230	11	176001	6	176203	8
175016	32	175097	37	175173	40	175231	11	176002	6	176204	8
175017	32	175098	40	175174	40	175232	11	176003	6	176205	8
175018	32	175102	40	175175	40	175233	11	176004	6	176206	8
175019	32	175105	40	175176	40	175234	11	176005	6	176207	8

Code	Page	Code	Page	Code	Page	Code	Page	Code	Page	Code	Page
176208	8	176358	9	176555	12	176605	15	177050	18	177208	19
176209	8	176359	9	176556	12	176606	15	177051	18	177209	19
176210	8	176360	9	176557	12	176607	15	177052	18	177210	19
176211	8	176361	9	176558	12	176608	15	177053	18	177211	19
176212	8	176362	9	176559	12	176609	15	177054	18	177212	19
176213	8	176363	9	176560	12	176610	15	177055	18	177213	19
176214	8	176364	9	176561	14	176611	15	177056	18	177250	19
176250	8	176365	9	176562	14	176612	15	177057	18	177251	19
176251	8	176366	9	176563	14	176613	15	177058	18	177252	19
176252	8	176367	9	176564	14	176614	15	177059	18	177253	19
176253	8	176368	9	176565	14	176615	15	177060	18	177254	19
176254	8	176369	9	176566	14	176616	15	177061	18	177255	19
176255	8	176400	10	176567	14	176617	16	177062	18	177256	19
176256	8	176401	10	176568	14	176618	16	177063	18	177257	19
176257	8	176402	10	176569	14	176619	16	177100	18	177258	19
176258	8	176403	10	176570	14	176620	16	177101	18	177259	19
176259	8	176404	10	176571	14	176621	16	177102	18	177260	19
176260	8	176405	10	176572	14	176622	16	177103	18	177261	19
176261	8	176406	10	176573	14	176623	16	177104	18	177262	19
176262	8	176407	10	176574	14	176624	16	177105	18	177263	19
176263	8	176408	10	176575	14	176625	16	177106	18	177300	20
176264	8	176409	10	176576	14	176626	16	177107	18	177301	20
176300	9	176410	10	176577	14	176627	16	177108	18	177302	20
176301	9	176450	10	176578	14	176628	16	177109	18	177303	20
176302	9	176451	10	176579	14	176629	16	177110	18	177304	20
176303	9	176452	10	176580	14	176630	16	177111	18	177305	20
176304	9	176453	10	176581	14	176631	16	177112	18	177310	20
176305	9	176454	10	176582	14	176632	16	177113	18	177311	20
176306	9	176455	10	176583	14	176633	16	177114	18	177312	20
176307	9	176456	10	176584	14	176634	16	177115	18	177313	20
176308	9	176457	10	176585	14	176635	16	177116	18	177314	20
176309	9	176458	10	176586	14	176636	16	177117	18	177315	20
176310	9	176459	10	176587	14	176637	16	177118	18	177320	20
176311	9	176460	10	176588	14	176638	16	177119	18	177321	20
176312	9	176500	12	176589	14	176639	16	177120	18	177322	20
176313	9	176501	12	176590	14	176640	16	177121	18	177323	20
176314	9	176502	12	176591	14	177000	18	177122	18	177324	20
176315	9	176503	12	176592	14	177001	18	177123	18	177325	20
176316	9	176504	12	176593	15	177002	18	177124	18	177350	20
176317	9	176505	12	176594	15	177003	18	177125	18	177351	20
176318	9	176506	12	176595	15	177004	18	177126	18	177352	20
176319	9	176507	12	176596	15	177005	18	177127	18	177353	20
176350	9	176508	12	176597	15	177006	18	177128	18	177354	20
176351	9	176509	12	176598	15	177007	18	177129	18	177355	20
176352	9	176510	12	176599	15	177008	18	177130	18	177360	20
176353	9	176550	12	176600	15	177009	18	177131	18	177361	20
176354	9	176551	12	176601	15	177010	18	177132	18	177362	20
176355	9	176552	12	176602	15	177011	18	177133	18	177363	20
176356	9	176553	12	176603	15	177012	18	177134	18	177364	20
176357	9	176554	12	176604	15	177013	18	177135	18	177365	20

NOTE

A series of horizontal dotted lines for writing notes.

The information given here is believed to be reliable, but no representations, guarantees, or warranties of any kind are made as to its accuracy, suitability for particular applications or the results to be obtained therefrom. The information is based on a laboratory work with small-scale equipment on small samplings of stock material and particular conditions of use and reasonable lot-to-lot variations can affect performance. Users of our products should make their own tests to determine the suitability of any product for their particular purposes. The product discussed in this brochure is warranted to be free of any defect in material or workmanship when delivered but is otherwise SOLD WITHOUT WARRANTY. EITHER EXPRESSED OR IMPLIED. INCLUDING ANY WARRANTY, OF MERCHANT ABILITY OR FITNESS FOR A PARTICULAR PURPOSE. Buyers assumes responsibility for loss or damages arising from the use of our products, whether used in accordance with our direction or not, and we shall in no event be liable for incidental or consequential damages. Our sole responsibility shall be to replace any product proved to be defective when delivered. Statements concerning the possible uses of our products are not intended as recommendations to use our products in the infringement of any patent. The research efforts to better the quality and function of our products, permit us to change and replace, without notice, the specification in this catalogue.

For more technical information, contact our engineering department in ITALY 035-83.51.301

Catalogues available on request

System Plast

Our complete range of components will cover
all your productive needs



System Plast worldwide!

Local Commitment, Global Presence

System Plast can reach you everywhere with fast shipments of standard or customized products.
Find our agent or representative closest to you.




www.systemplast.com

 **System Plast S.r.l. - ITALY**
Via San Rocco, 29/31
24060 Telgate (Bergamo) - ITALY
Telephone 035 83 51 301
Telefax 035 83 51 406
info@systemplast.com

 **System Plast - GERMANY**
Tel. (03529) 56 15 0
Fax (03529) 51 13 67
info@fspchains.com


 **System Plast - GERMANY**
Sales Office
Tel. (06204) 9673 0
Fax (06204) 9673 29
info-de@systemplast.com


 **System Plast - FRANCE**
Tel. (01) 64 66 05 48
Fax (01) 64 66 05 82
info-fr@systemplast.com

 **System Plast International
THE NETHERLANDS**
Tel. (0186) 63 61 21
Fax (0186) 63 61 25
info-nl@systemplast.com

 **System Plast - ENGLAND**
Tel. (01926) 614 314
Fax (01926) 614 914
info-uk@systemplast.com

 **Solus - USA**
Tel. 866 589 3911
Fax 866 447 6587
solusteam@solusii.com

 **Solus System Plast - MEXICO**
Tel. (033) 3688 0024
Fax (033) 3688 0036
servicioclientes@emerson.com

 **System Plast - BRAZIL**
Tel. (011) 3849 48 46
Fax (011) 3845 46 02
info-br@systemplast.com

 **System Plast - SINGAPORE**
Tel. (65) 6891 7600
Fax (65) 6873 7882
systemplast.sg@emerson.com

 **Emerson PTS - CHINA**
Tel. (86) 596 2136017
Fax (86) 596 2136004
sales.zz@emerson.com